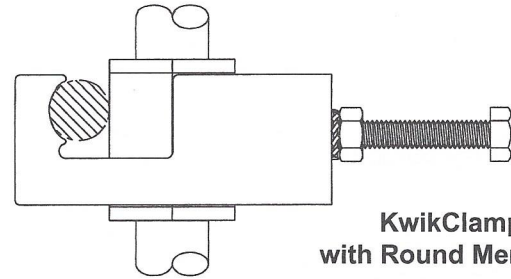


KwikClamp™ Hangers for 1/2" through 1-5/8" HELIAX® LDF Coaxial Cable

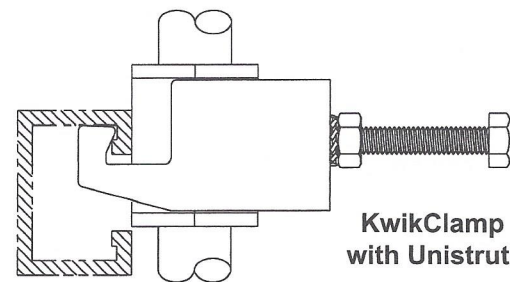
Description

The KwikClamp hanger consists of a clamping body, which mounts on the tower member, and two support blocks that surround the cable. The assembly is secured by compressing the blocks against the tower member with a screw. The hangers can be stacked with additional blocks to support up to three runs of cable.

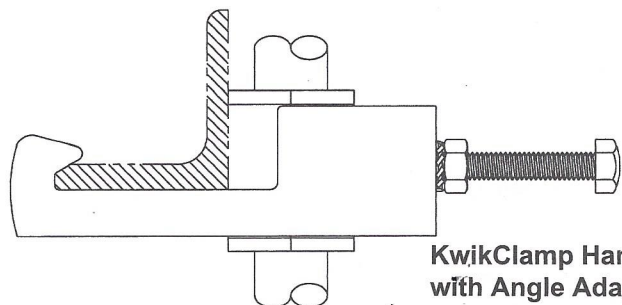
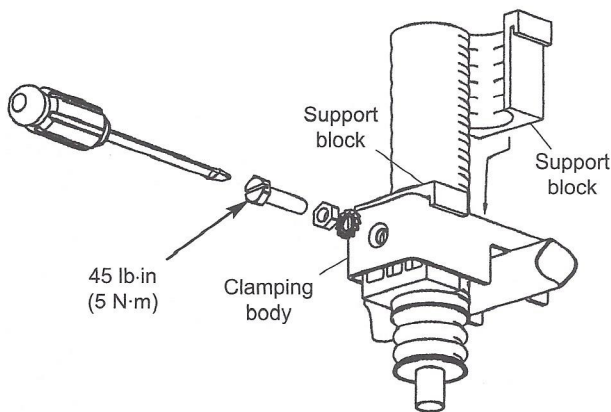


**KwikClamp Hanger
with Round Member Adapter**

Cable size	Recommended maximum spacing	Cable type
1/2"	3 ft (0.9 m)	LDF4-50A
5/8"	3 ft (0.9 m)	LDF4.5-50
7/8"	3 ft (0.9 m)	LDF5-50A
1-1/4"	3 ft (0.9 m)	LDF6-50
1 5/8"	3 ft (0.9 m)	LDF7-50A



**KwikClamp Hanger
with Unistrut Adapter**



**KwikClamp Hanger
with Angle Adapter**

Tower member type	Cable runs	Cable and hanger type								
		RG8 R8CLAMP-()	LDF1 L1CLAMP-()	LDF4 L4CLAMP-()	LDF4.5 L45CLAMP-()	LDF5 L5CLAMP-()	LDF6 L6CLAMP-()	LDF7 L7CLAMP-()	LDF12 L12CLAMP-()	
3-11 mm	1	UNV-1	UNV-1	UNV-1	UNV-1	UNV-1	UNV-1	UNV-1	UNV-1	UNV-1
	2	UNV-2	UNV-2	UNV-2	UNV-2	UNV-2	UNV-2	UNV-2	UNV-2	
	3	UNV-3	UNV-3	UNV-3	UNV-3	UNV-3	UNV-3	UNV-3	UNV-3	
8-25 mm round or 3-25 mm flat plate	1			RDN-1	RDN-1	RDN-1	RDN-1	RDN-1	RDN-1	
	2			RDN-2	RDN-2	RDN-2	RDN-2	RDN-2	RDN-2	
	3			RDN-3	RDN-3	RDN-3	RDN-3	RDN-3	RDN-3	
40 mm angles	1			ANG40-1	ANG40-1	ANG40-1	ANG40-1	ANG40-1	ANG40-1	
	2			ANG40-2	ANG40-2	ANG40-2	ANG40-2	ANG40-2	ANG40-2	
	3			ANG40-3	ANG40-3	ANG40-3	ANG40-3	ANG40-3	ANG40-3	
50 mm angles	1			ANG50-1	ANG50-1	ANG50-1	ANG50-1	ANG50-1	ANG50-1	
	2			ANG50-2	ANG50-2	ANG50-2	ANG50-2	ANG50-2	ANG50-2	
	3			ANG50-3	ANG50-3	ANG50-3	ANG50-3	ANG50-3	ANG50-3	
Channel section 40x22x1.5 mm	1			CNL-1	CNL-1	CNL-1	CNL-1	CNL-1	CNL-1	
	2			CNL-2	CNL-2	CNL-2	CNL-2	CNL-2	CNL-2	
	3			CNL-3	CNL-3	CNL-3	CNL-3	CNL-3	CNL-3	

ANDREW an Amphenol company
2601 Telecom Parkway, Richardson, Texas, 75082, USA
www.andrew.com

Technical Support
+1 888 297 6433, Option 3 (Toll Free US and Canada)
awpnarsupport@andrew.com

Notice: ANDREW disclaims any liability or responsibility for the results of improper or unsafe installation, inspection, maintenance, or removal practices.
Aviso: ANDREW no acepta ninguna obligación ni responsabilidad como resultado de prácticas incorrectas o peligrosas de instalación, inspección, mantenimiento o retiro.
Avis: ANDREW décline toute responsabilité pour les conséquences de procédures d'installation, d'inspection, d'entretien ou de retrait incorrectes ou dangereuses.
Hinweis: ANDREW lehnt jede Haftung oder Verantwortung für Schäden ab, die aufgrund unsachgemäßer Installation, Überprüfung, Wartung oder Demontage auftreten.
Atenção: A ANDREW abdica do direito de toda responsabilidade pelos resultados de práticas inadequadas e sem segurança de instalação, inspeção, manutenção ou remoção.
Avvertenza: ANDREW declina eventuali responsabilità derivanti dall'esecuzione di procedure di installazione, ispezione, manutenzione e smontaggio improprie o poco sicure.
注意: ANDREW 公司申明對於不恰當或不安全的安裝、檢驗、維修或拆卸操作所導致的後果不負責任 何義務和責任