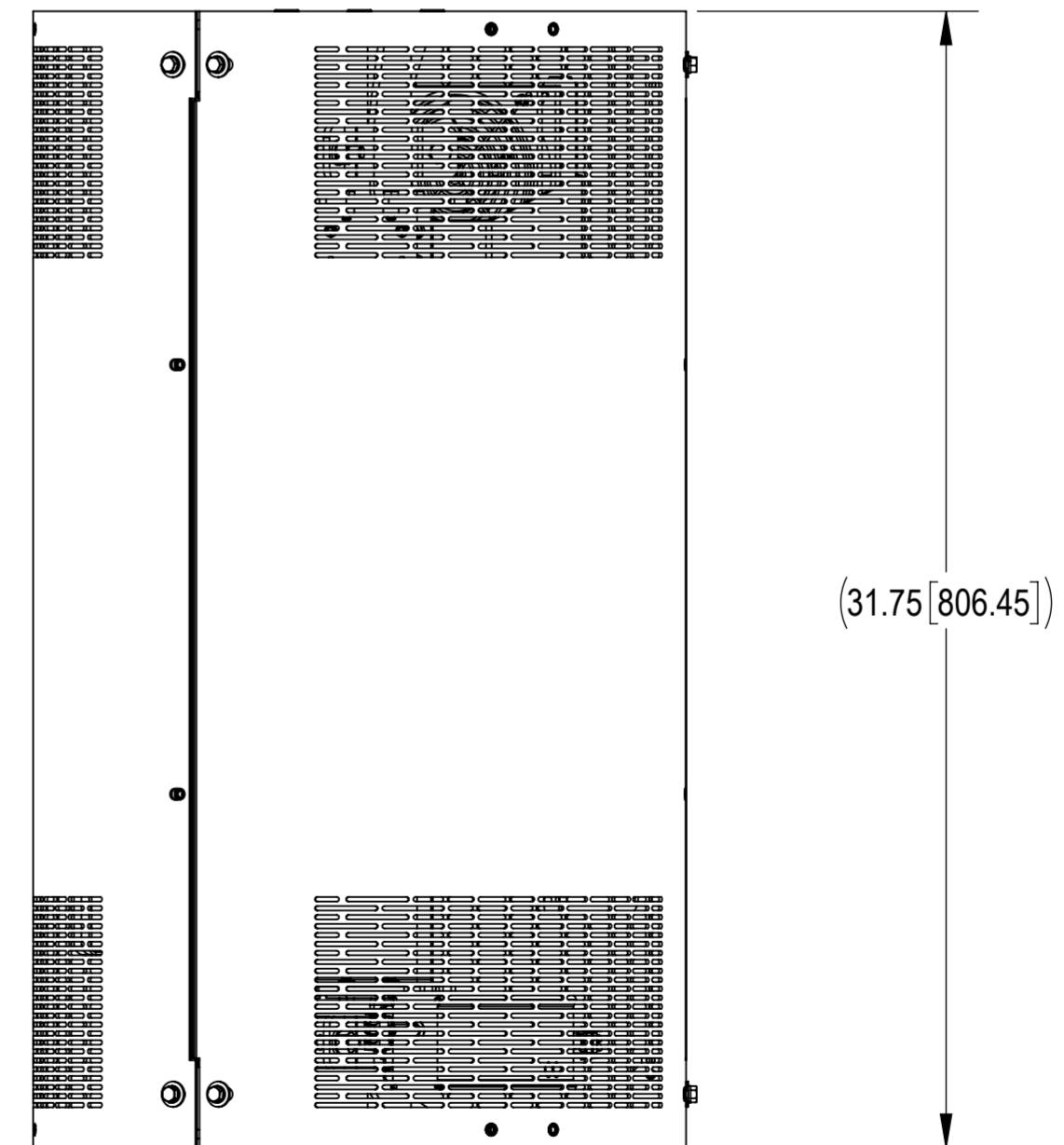
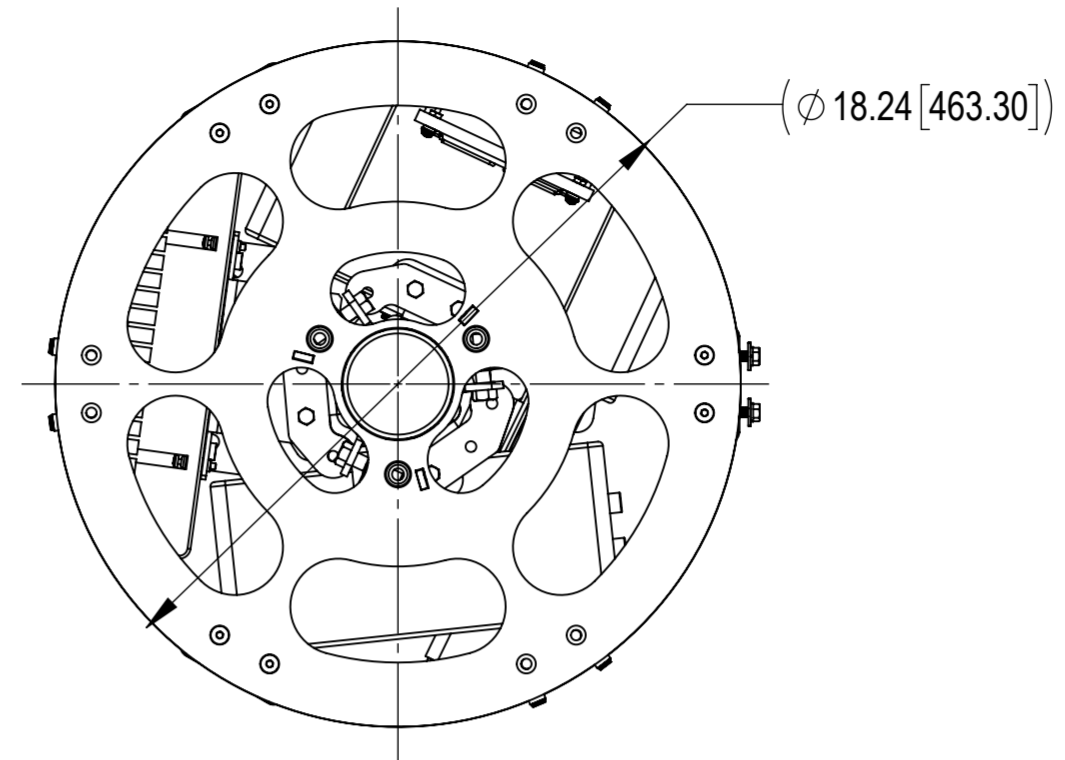
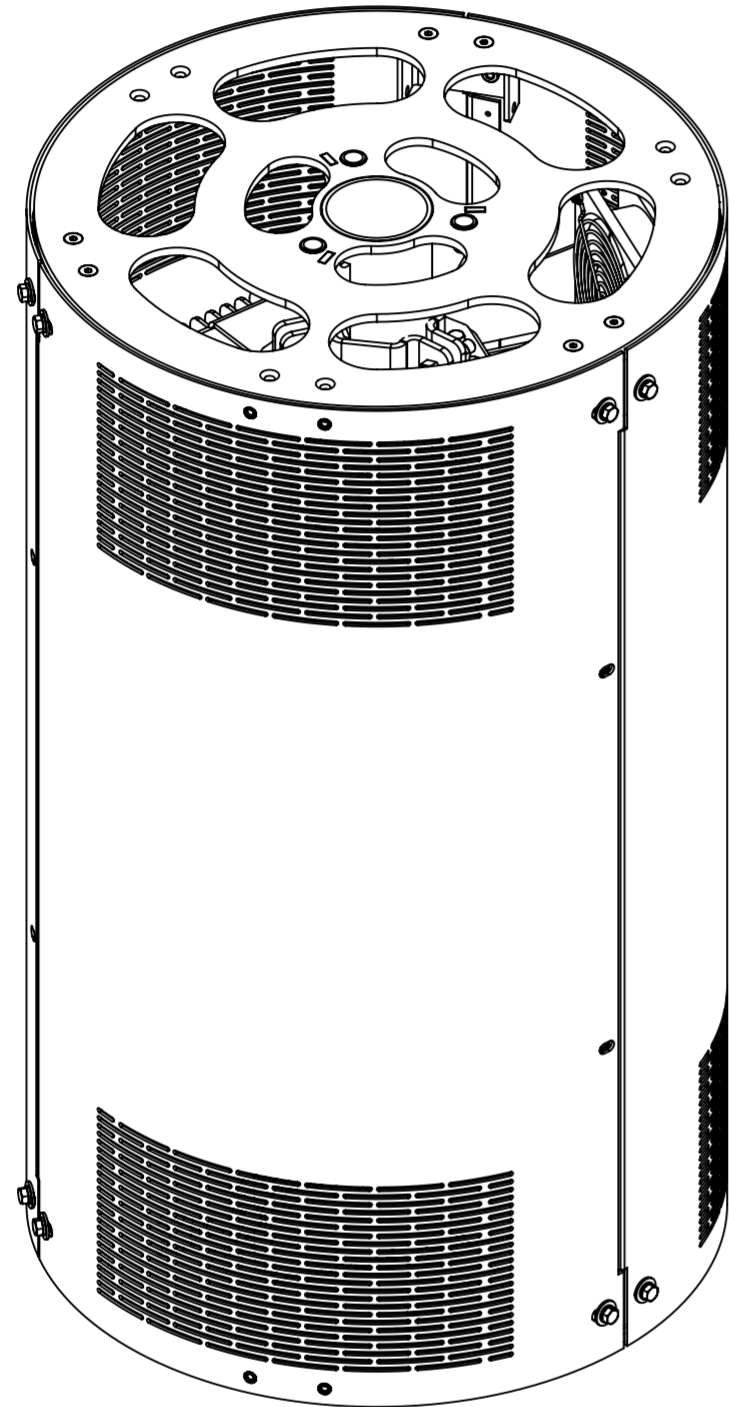


Installation Instructions



860664823-AMK-007-INSTALL INSTALLATION INSTRUCTION

BRKS KIT 18"PT ERC4471,4461



REVISIONS			
REV.	DESCRIPTION	DATE	APPROVED
A	INITIAL RELEASE	MS1288 22JUL25	LX1002 50104045AMO

This table show the evolution and history of document from initial to current version.

Further information regarding ANDREW's commitment can be found at <https://www.andrew.com/sustainability/>.
 Visit our website or contact your local ANDREW representative for more information.
 This product is covered by one or more U.S. patents or their foreign equivalents. For patents, see www.adwpat.com

Installation Instructions

1.0 GENERAL NOTES

- 1.1 ALL METRIC DIMENSIONS ARE IN BRACKETS [X.X]
- 1.2 FEATURES CRITICAL TO QUALITY ARE INDICATED IN ROUNDED BOX X.X
- 1.3 3D DIGITAL FILES ARE FOR REFERENCE. IN CASE OF CONFLICTS FOLLOW PDF

2.0 DESIGN NOTES

3.0 MANUFACTURING/SPECIAL REQUIREMENTS

3.1 TIGHTEN HARDWARE, TORQUE VALUE ARE SHOWN BELOW AS REFERENCE,

M5: TORQUE 23.0 IN-LB OR 2.6 N-M

M6: TORQUE 40.0 IN-LB OR 4.5 N-M (W/ CLIP NUT)

M6: TORQUE 46.0 IN-LB OR 5.2 N-M (W/ THREADED CAST AL)

M6: TORQUE 75.0 IN-LB OR 8.5 N-M (W/ STEEL NUT)

#6-32: TORQUE 9.5 IN-LB OR 1.1 N-M

3.2 CONNECT FAN Y-CABLE TO FANS AND ROUTE IN INTERIOR ALONG THE CENTRE SPINE. LEAVE SUFFICIENT SLACK.

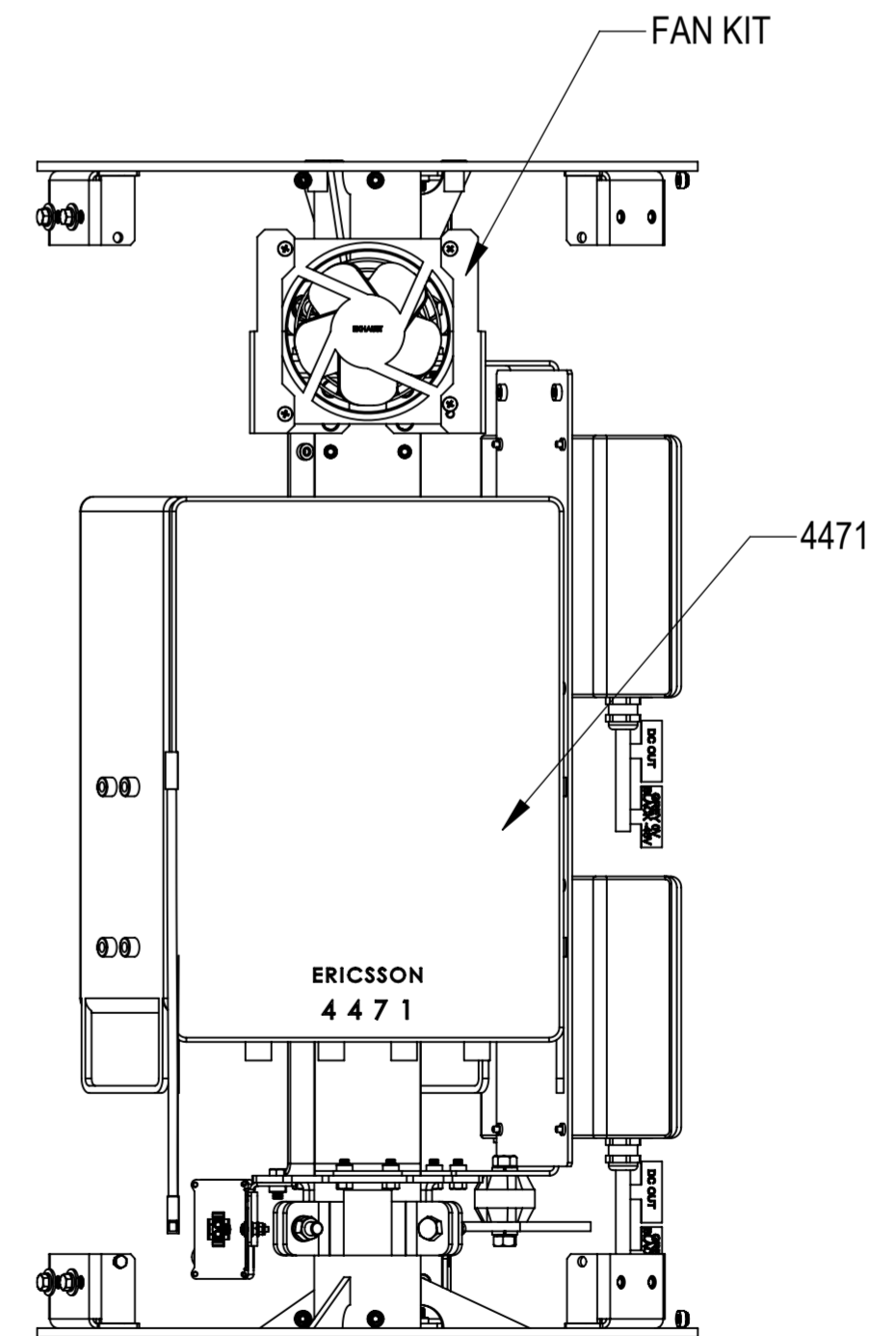
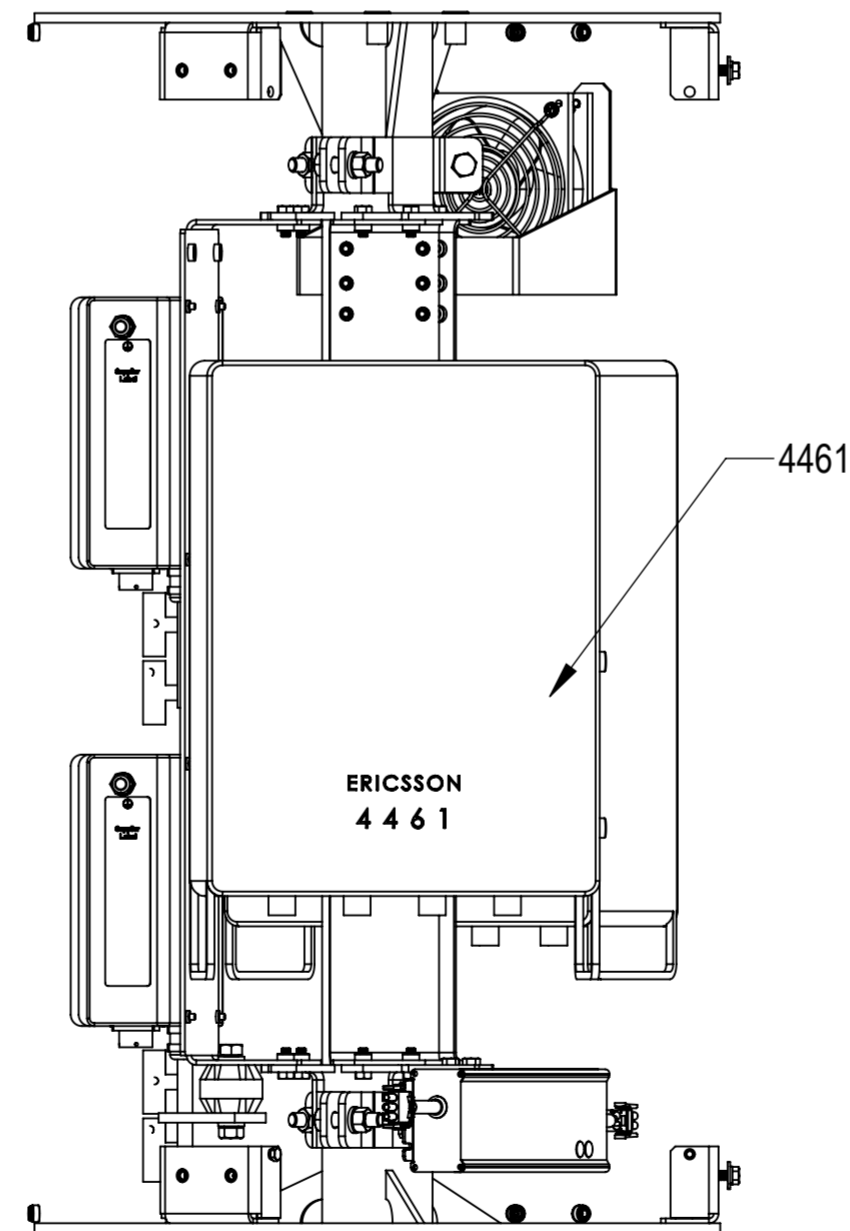
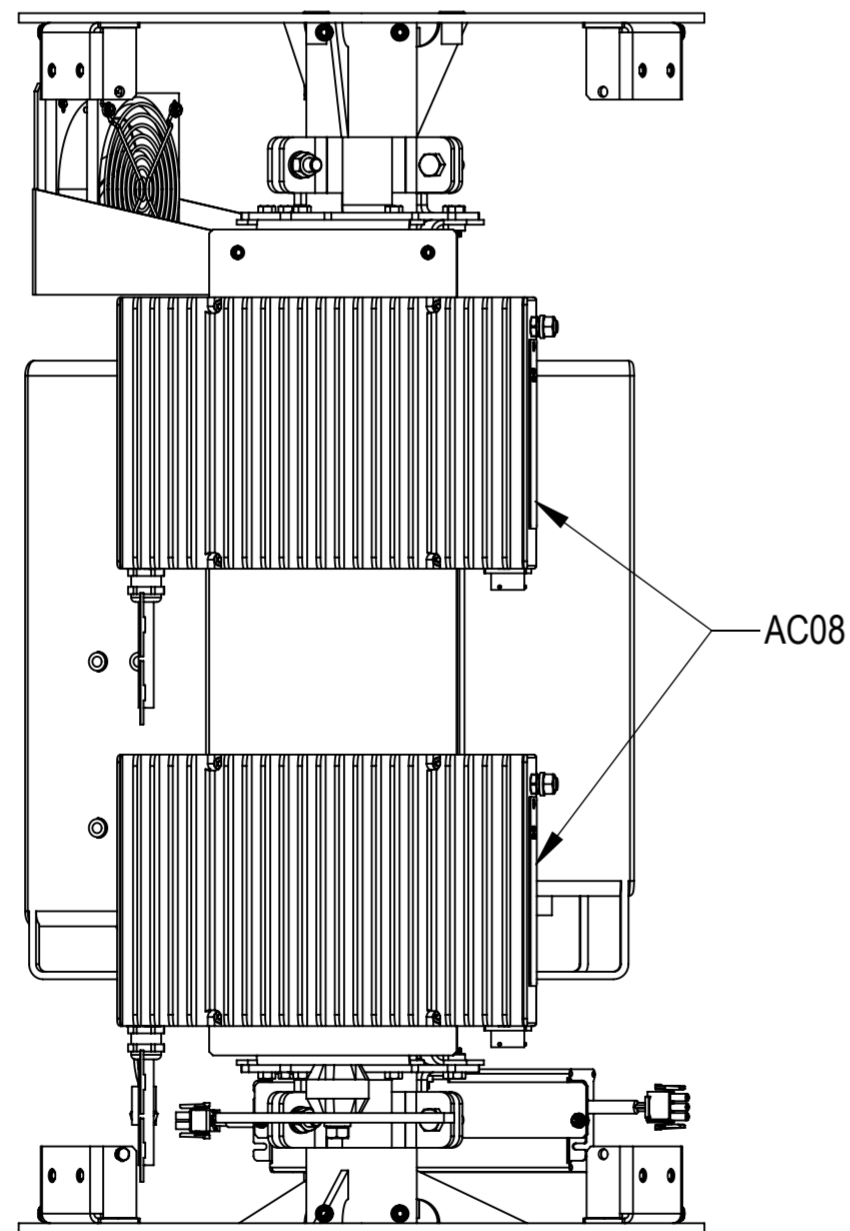
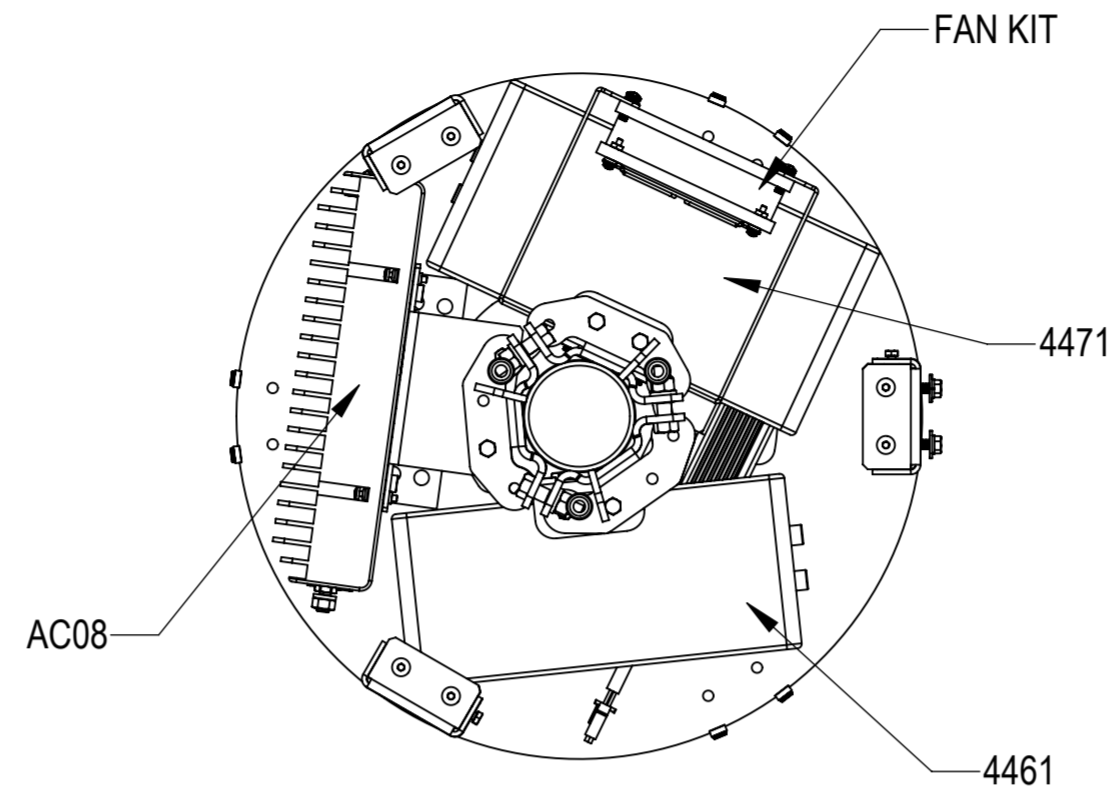
LOCATE THERMISTORS 0.5 TO 2.0 IN BELOW EDGE INDICATED IN FREE AIR AND DRESS CABLE WITH TIES

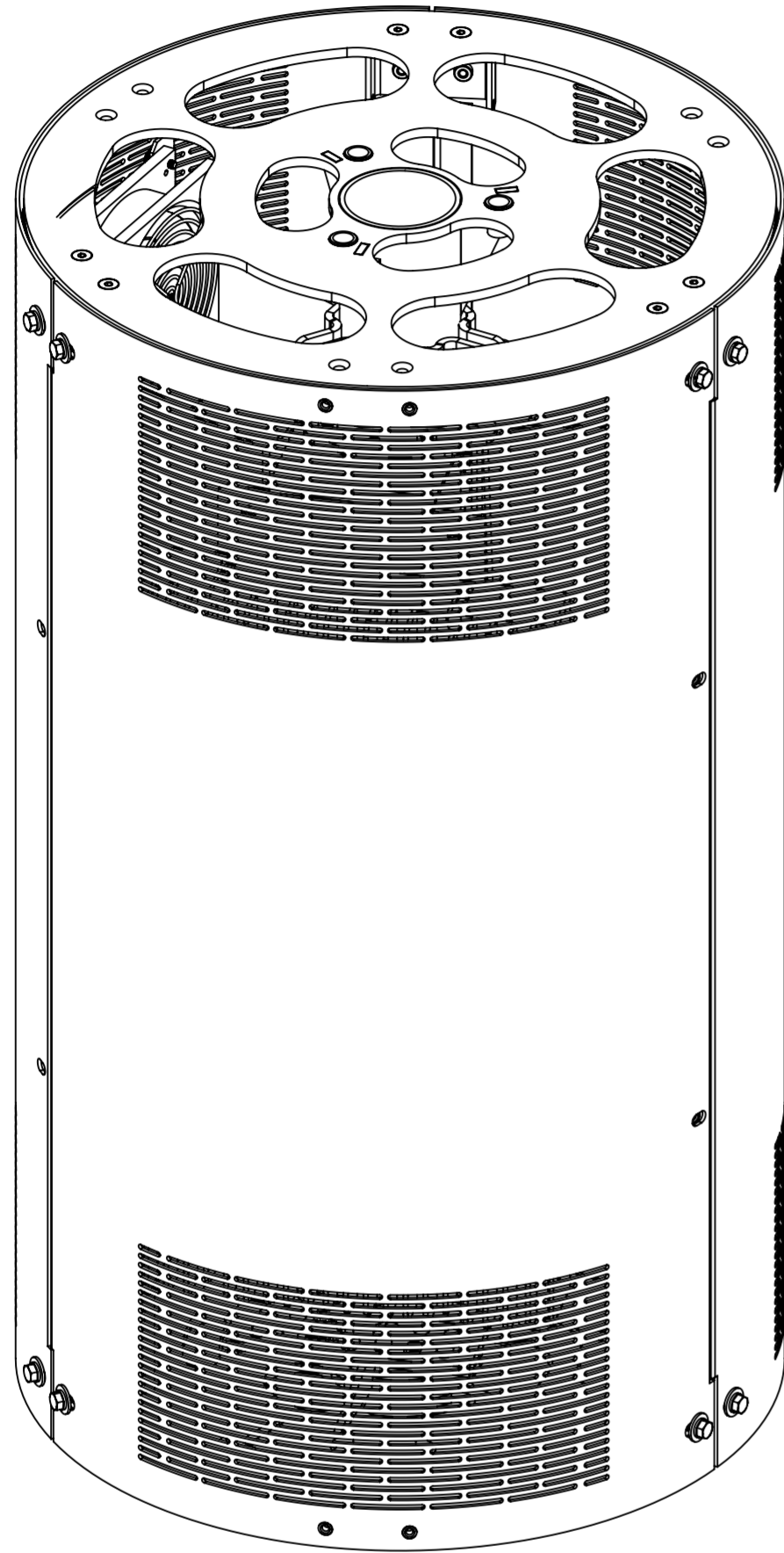
3.3 CONNECT POWER SUPPLY INPUT TO 120V AC SOURCE, ROUTE POWER SUPPLY INPUT CABLE FROM POWER TO BOTTOM PLATE THEN SECURE WITH CABLE TIES.

4.0 TEST

5.0 PACKAGING

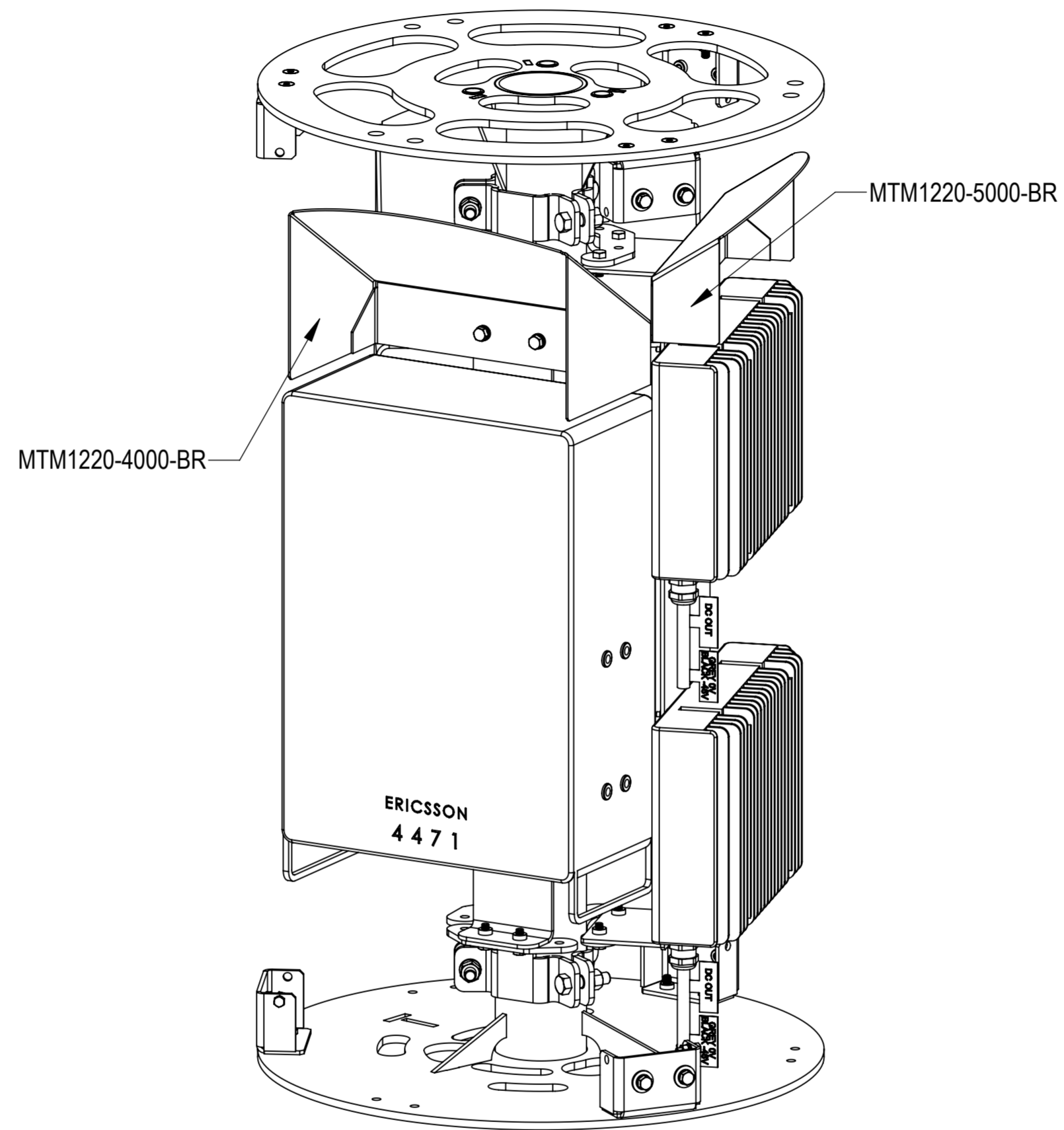
5.1 THIS PRINTED DOCUMENT TO BE PLACED INSIDE SHIPPING BOX FOR CUSTOMER INSTALLATION





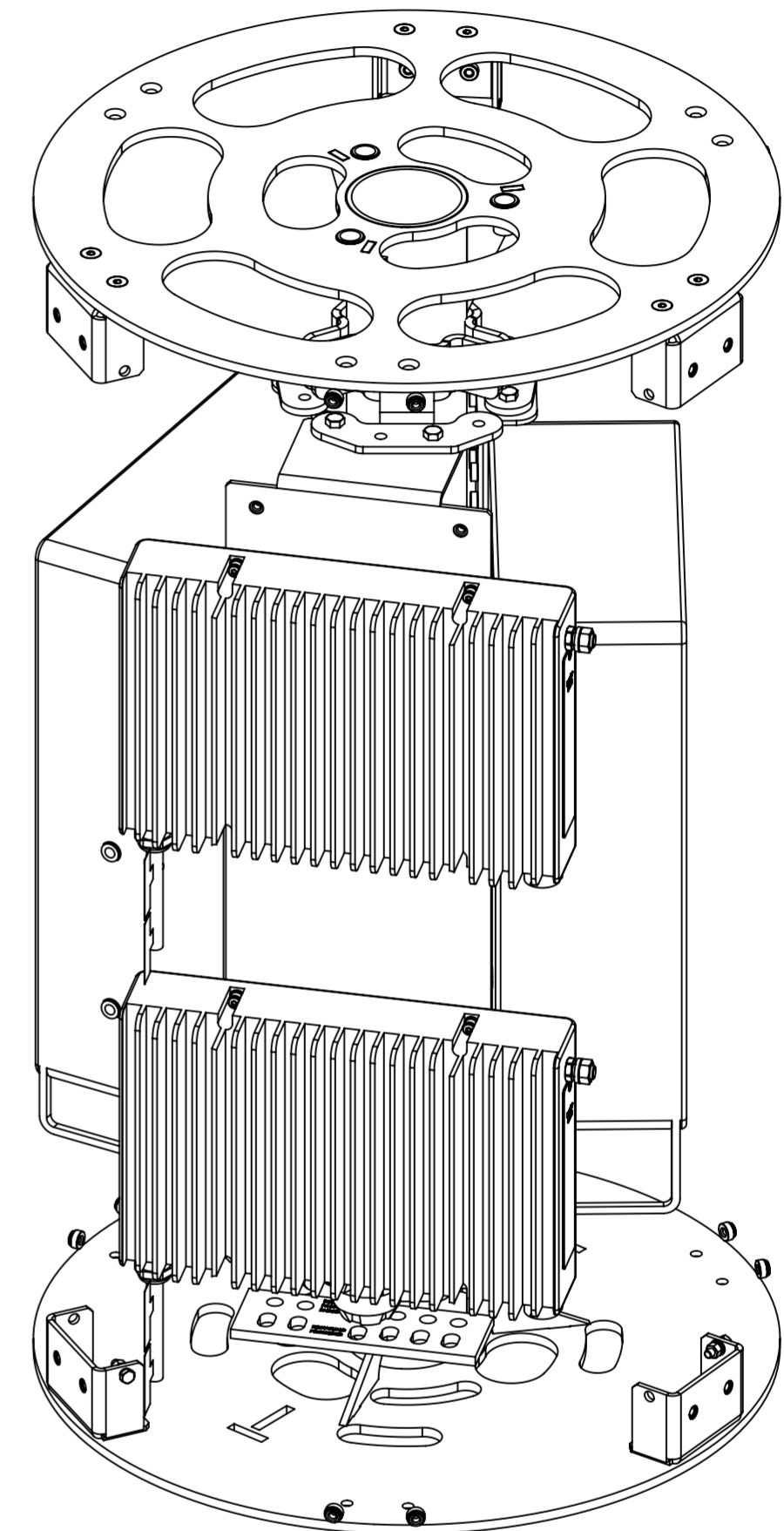
STEP 1

REMOVE AND RETAIN COVERS & HARDWARE



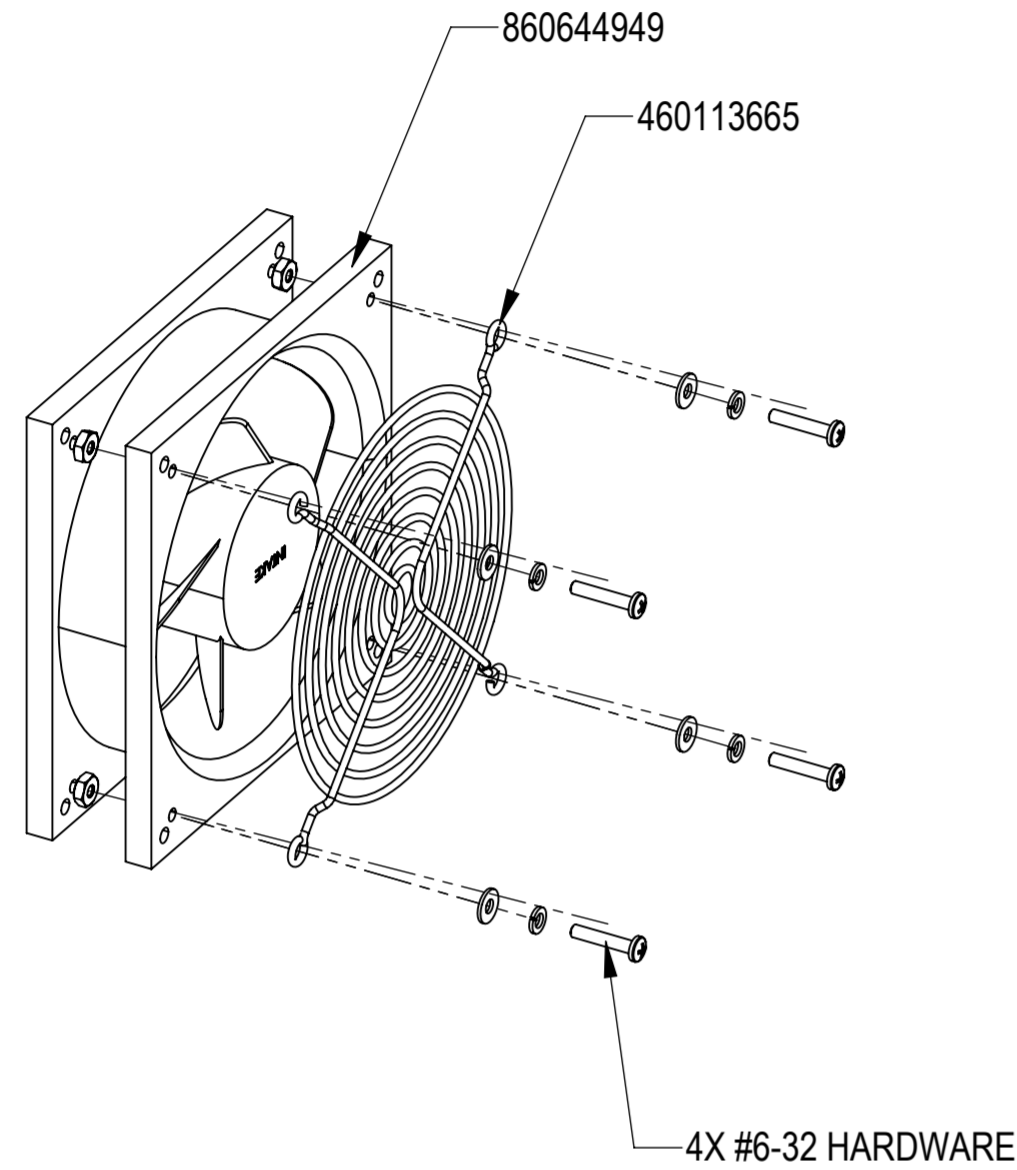
STEP 2

REMOVE BAFFLES MTM1220-4000-BR & MTM1220-5000-BR



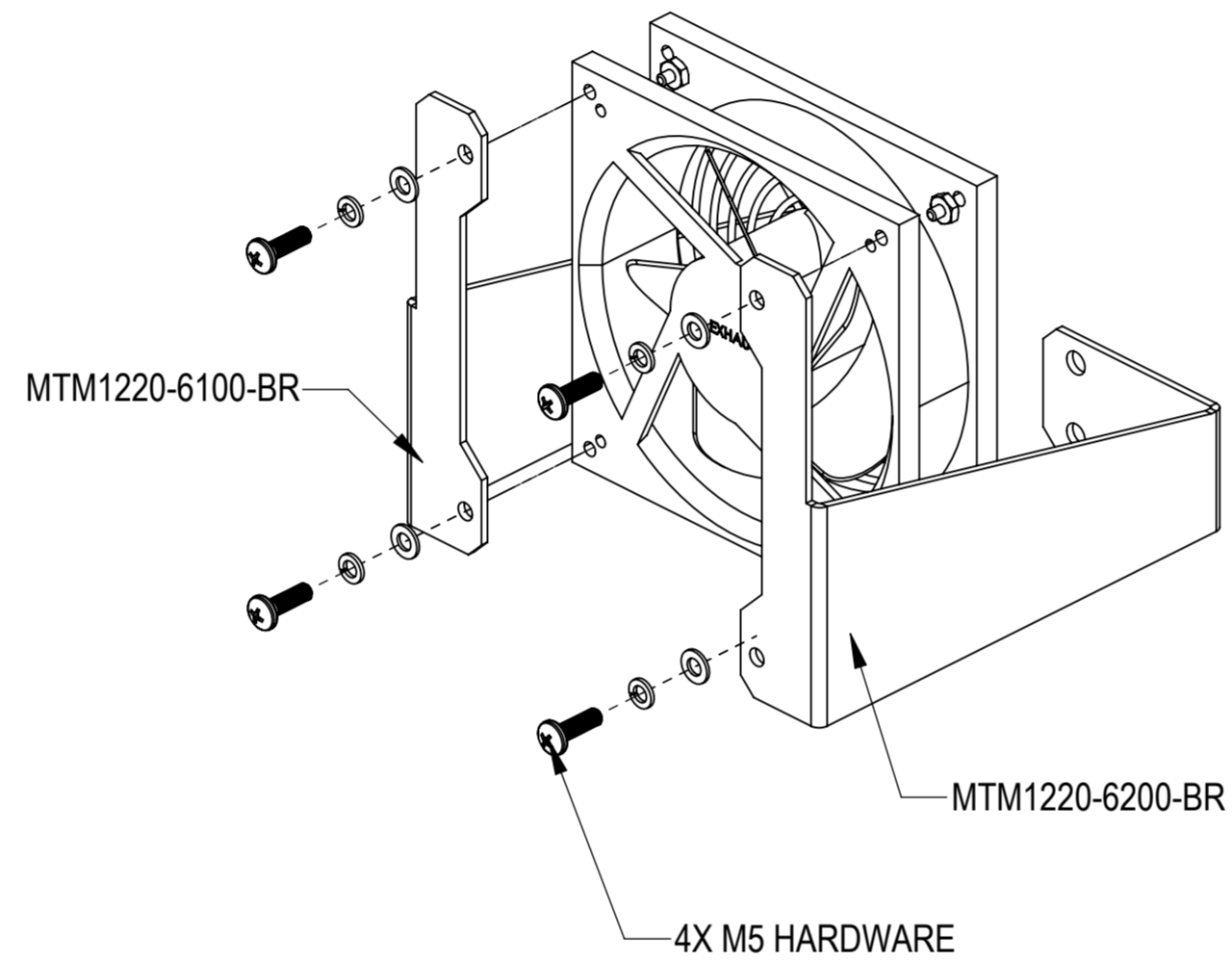
STEP 3

POLETOP 18" AFTER REMOVING BAFFLES



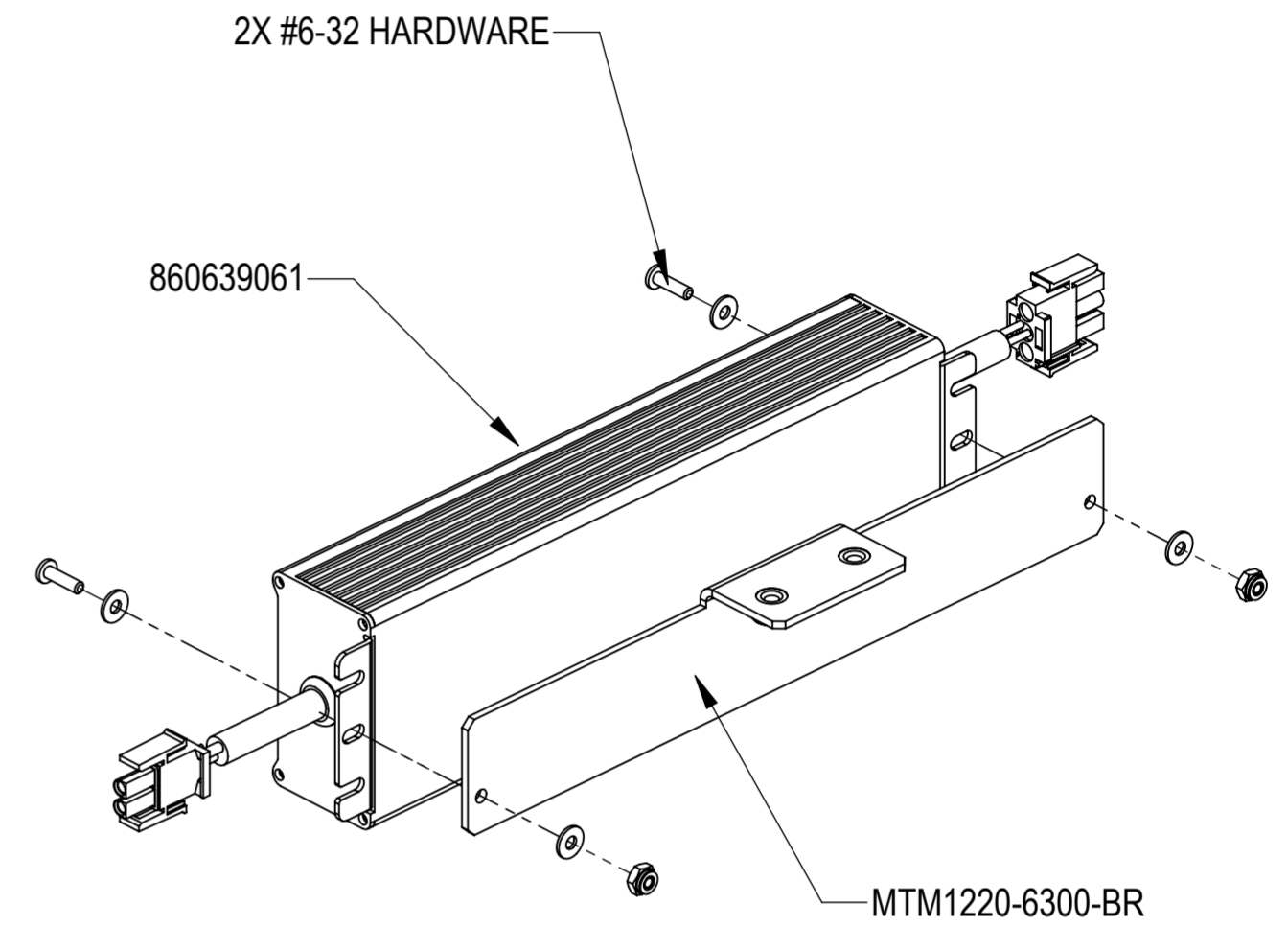
STEP 4

INSTALL 460113665 TO THE FAN 860644949 USING 4 SETS OF #6-32 SCREWS, M4 LOCK, No 6 FLAT WASHERS AND #6-32 NUTS AS SHOWN



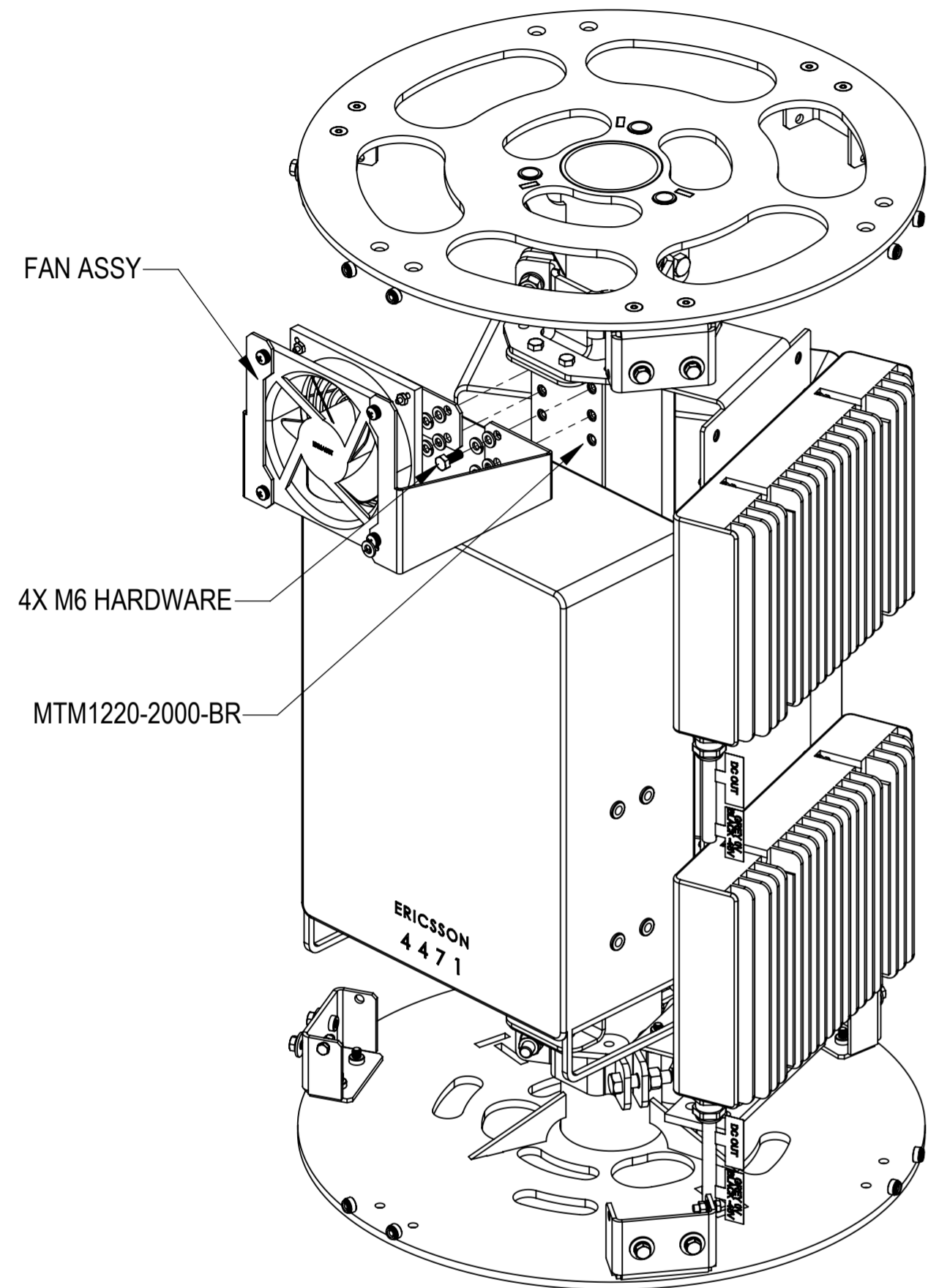
STEP 5

INSTALL FAN TO THE BRACKETS MTM1220-6100-BR & MTM1220-6200-BR USING 4 SETS OF M5 SCREWS, LOCK & FLAT WASHERS AS SHOWN



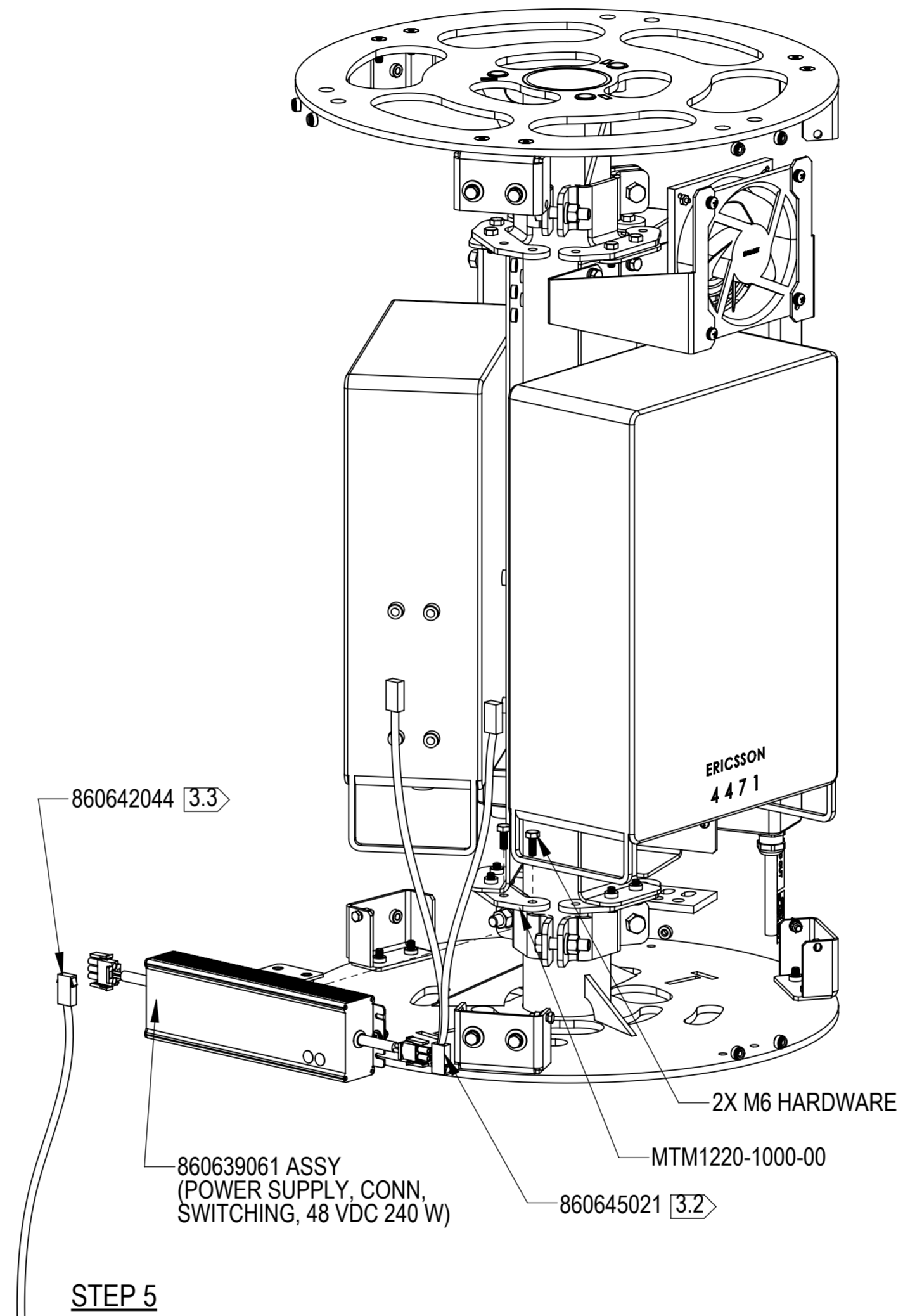
STEP 6

INSTALL 860639061 TO THE BRACKET MTM1220-6300-BR USING 2 SETS OF #6-32 SCREWS, No 6 FLAT WASHERS AND #6-32 NUTS AS SHOWN



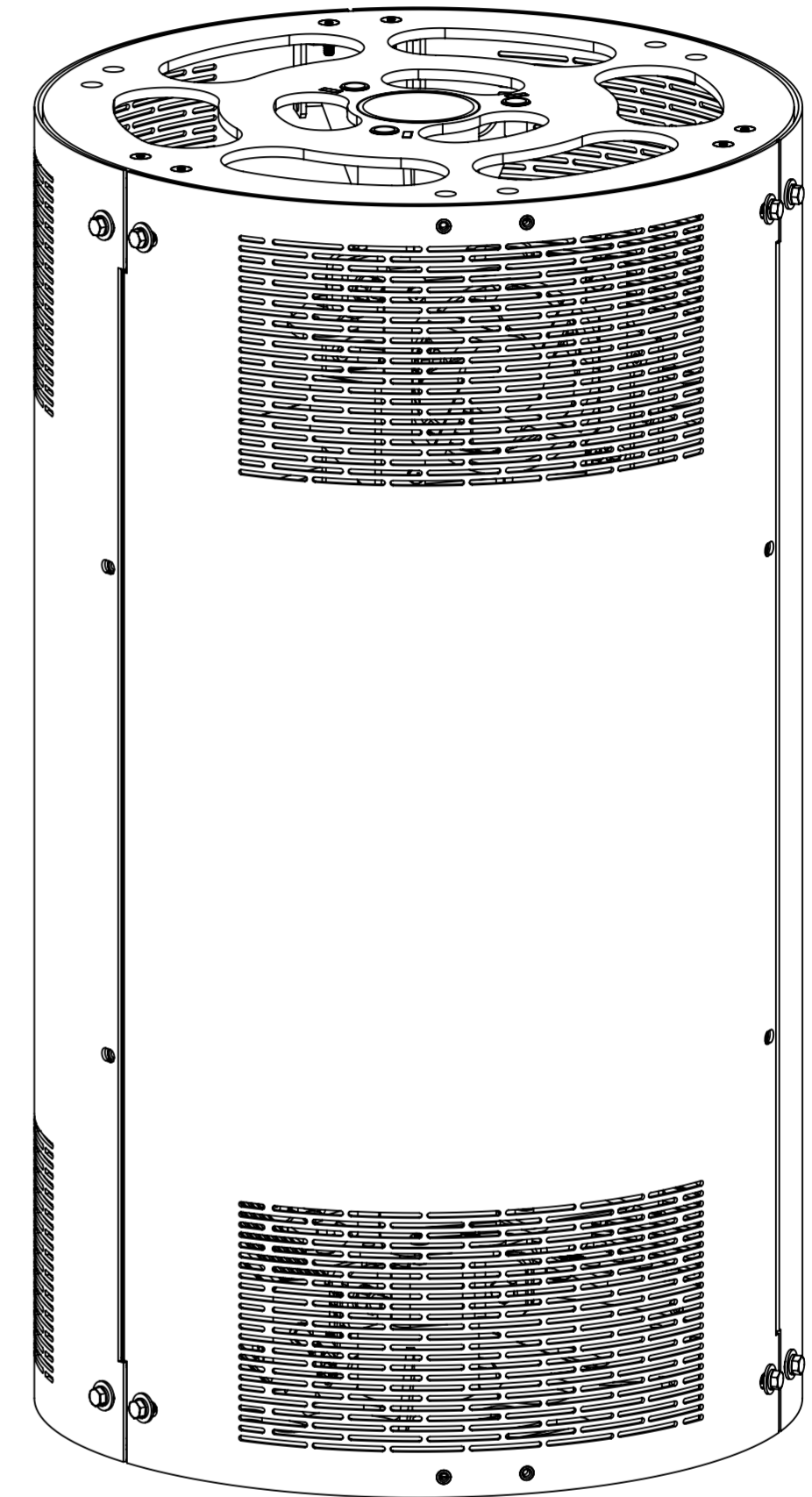
STEP 4

INSTALL FAN ASSY TO THE BRACKET MTM1220-2000-BR USING 4 SETS OF M6 SCREWS, LOCK & FLAT WASHERS AS SHOWN



STEP 5

INSTALL Y-CABLE 860645021 & POWER CABLE 860642044 TO POWER 860639061 ASSY
INSTALL 860639061 ASSY TO THE BRACKET MTM1220-1000-00 USING 2 SETS OF M6 SCREWS, NUTS AS SHOWN



STEP 6

RE-INSTALL COVERS