

4

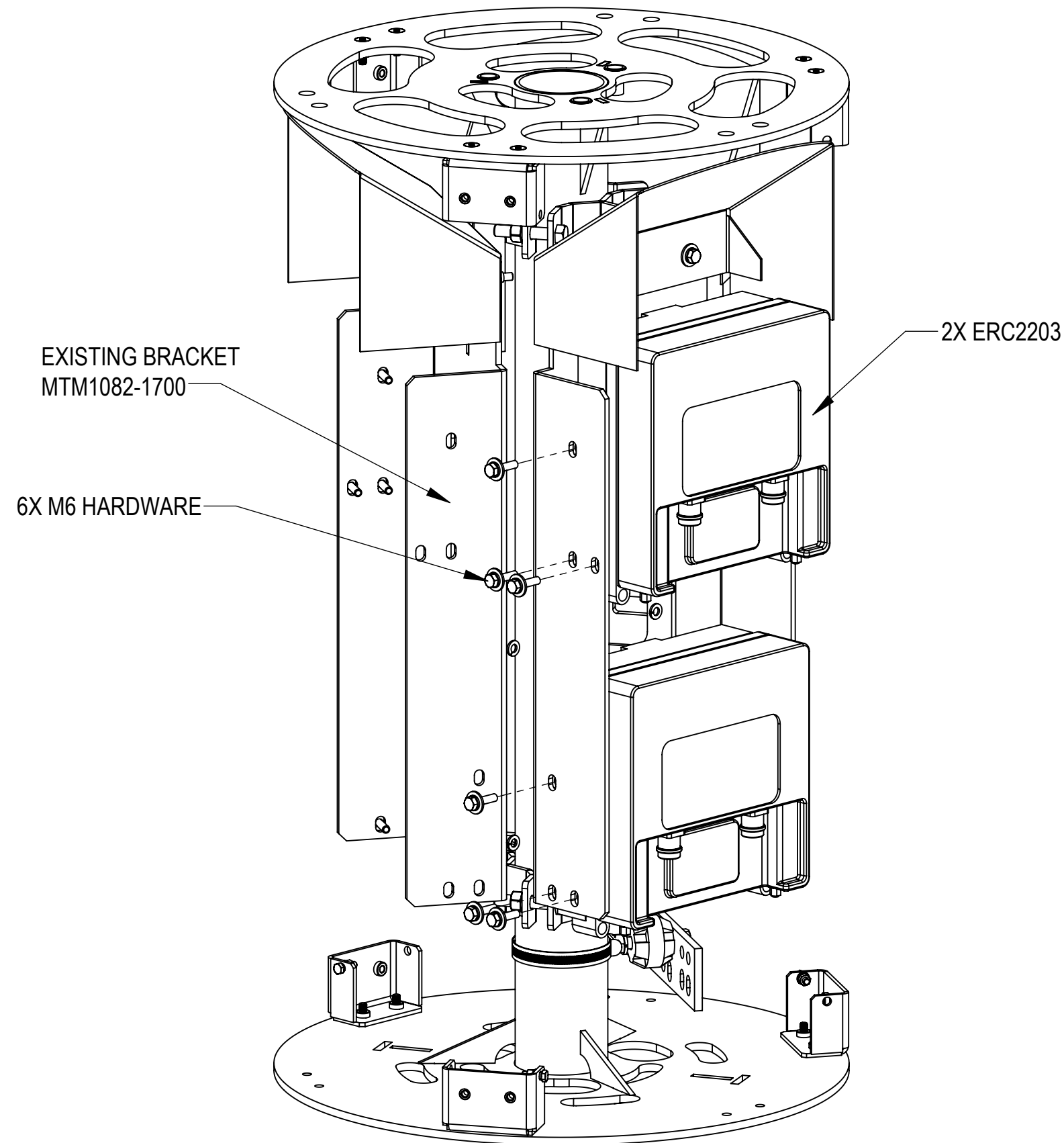
3

2

1

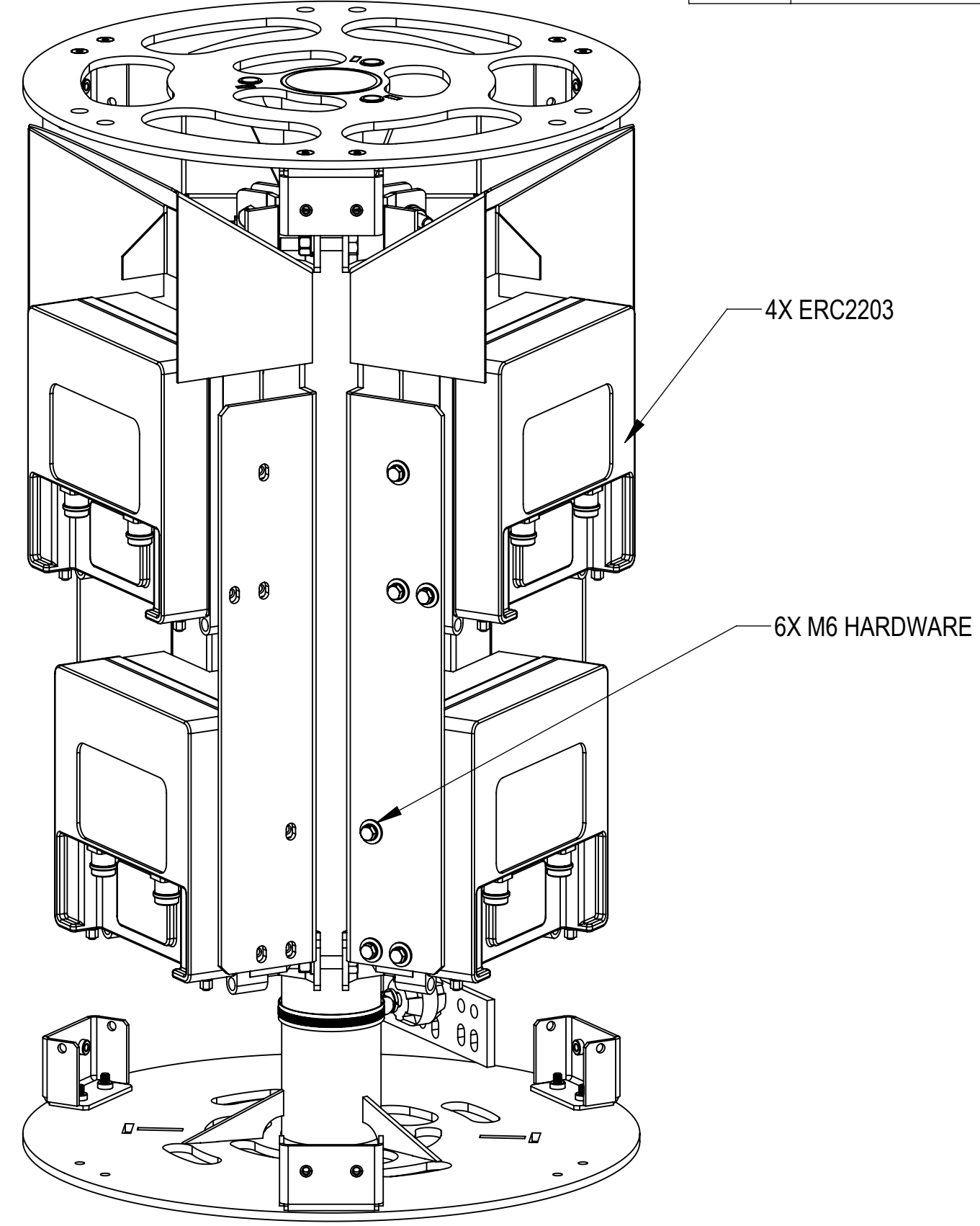
6X ERC2203 CONFIGURATION

REVISIONS			
REV.	DESCRIPTION	DATE	APPROVED
A	INITIAL RELEASE	JP1130 23JUL19	MMCFALL 8000036113
B	UPDATED DIPLEXER INSTALL VIEW	BL1053 28JAN20	MMCFALL 8000039032
C	UPDATED THE VIEWS TO SHOW DIPLEXER; UPDATED INSTALL NOTES	MS1288 21MAY24	JX1002 40196013CMO



STEP 1

INSTALL 2X ERC2203 TO THE BRACKET
USING 6X M6 SCREWS, LOCK WASHERS
AND FLAT WASHERS



STEP 2

REPEAT STEP 1 FOR MOUNTING
REMAINING 4X ERC2203

COMMSCOPE, INC. OF NORTH CAROLINA											
TOLERANCES						SAP MATERIAL MASTER					
1 PLACE .X ± N/A			3 PLACE .XXX ± N/A			N/A					
2 PLACE .XX ± N/A			ANGLES ± N/A								
FINISH N/A						MATERIAL N/A					
UNLESS OTHERWISE SPECIFIED DIMENSIONS ARE IN INCHES INTERPRET PER ANSI Y 14.5M-1994			NAME		DATE		TITLE				
			CE JP1130		07/23/2019		760233122E10 INSTALL				
			RW MS1288		05/29/2024						
			RV								
			AD JX1002		05/29/2024						
			RE DM1121		05/29/2024		SCALE		DOCUMENT NO.		
			ECN 40196013CMO				1:4		760233122E10 INSTALL		
DENSITY		lbs/in ³		SIZE		WORK AREA		INSL		MODEL	
MASS		lbs		C		⊕		▽		VERSION	
VOLUME		in ³								STATUS	
SURFACE AREA		in ²								REVISION	
HEIGHT										DRAWING	
LENGTH										VERSION	
WIDTH										STATUS	
										REVISION	
										SHEET	
										1 OF 3	

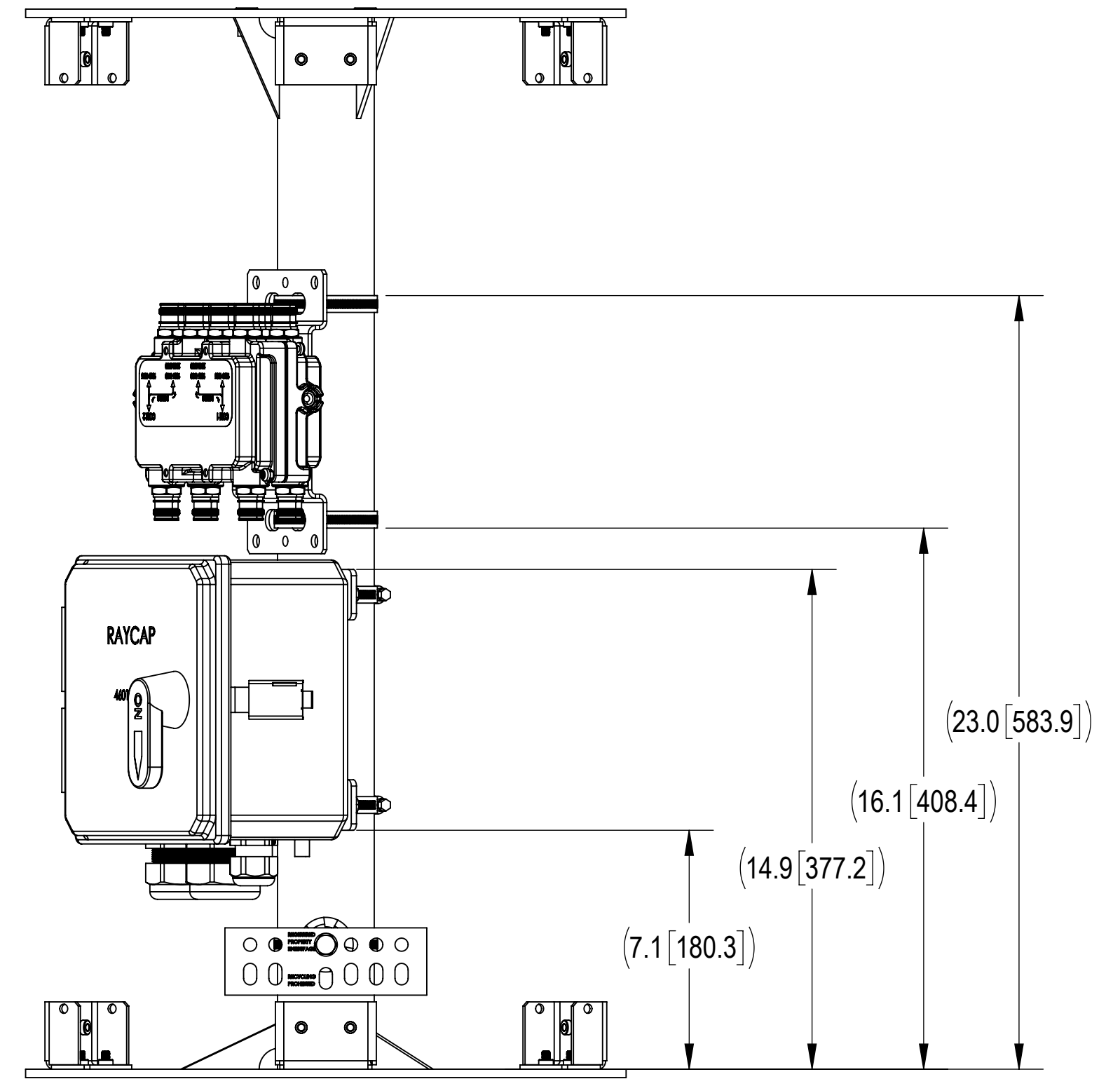
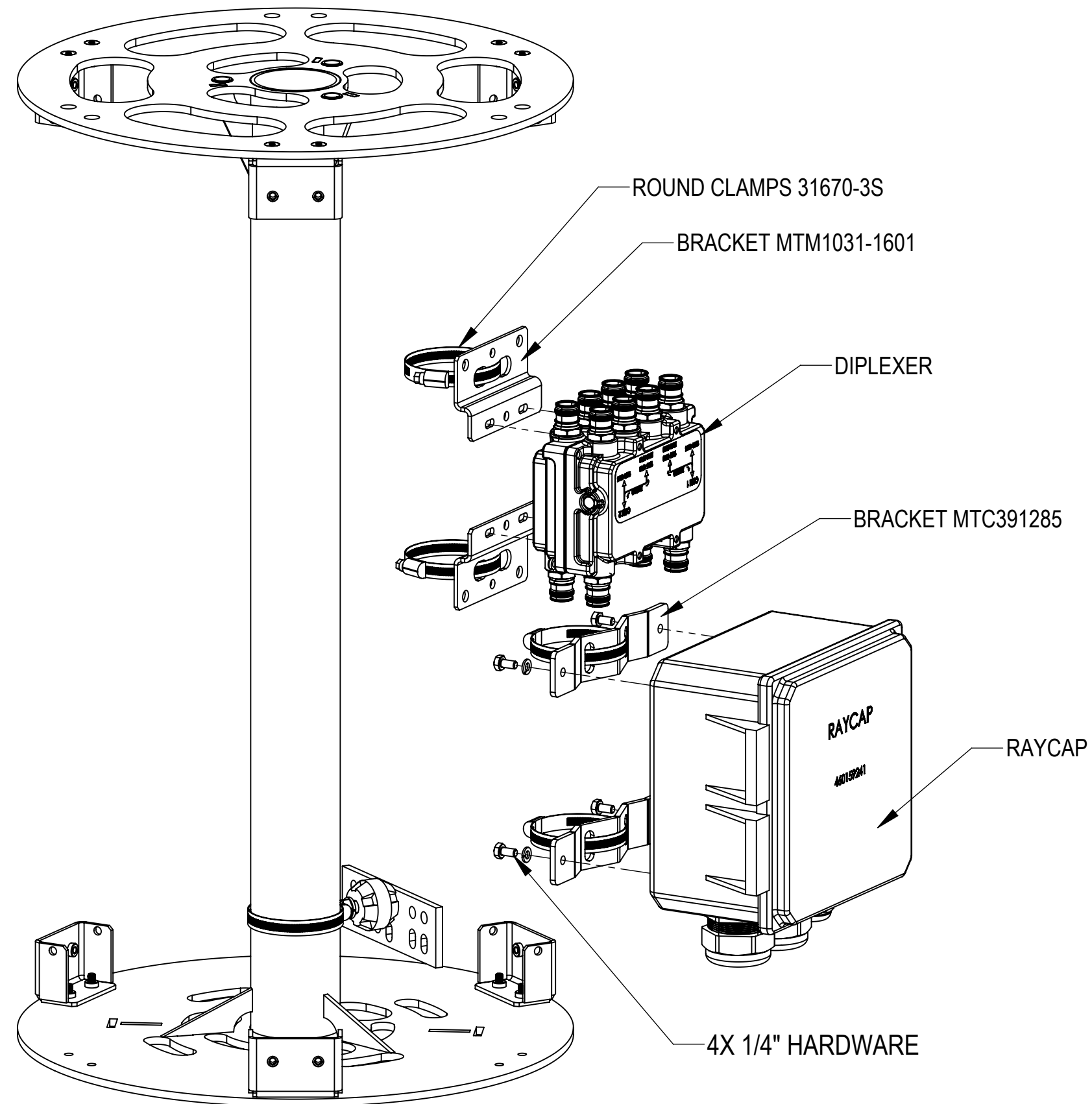
4

3

2

1

DIPLEXER AND RAYCAP INSTALLATION



STEP 1

UNINSTALL ALL 3 SETS OF BAFFLES AND RADIO BRACKETS, WHICH ARE PRE-INSTALLED FOR 6X ERC2203 CONFIGURATION.

DIPLEXER

INSTALL THE DIPLEXER TO THE POLETOP WELDMENT USING 2X ROUND CLAMPS. DIPLEXER SHOULD BE APPROXIMATELY LOCATED AND ORIENTED AS SHOWN IN THE VIEWS.

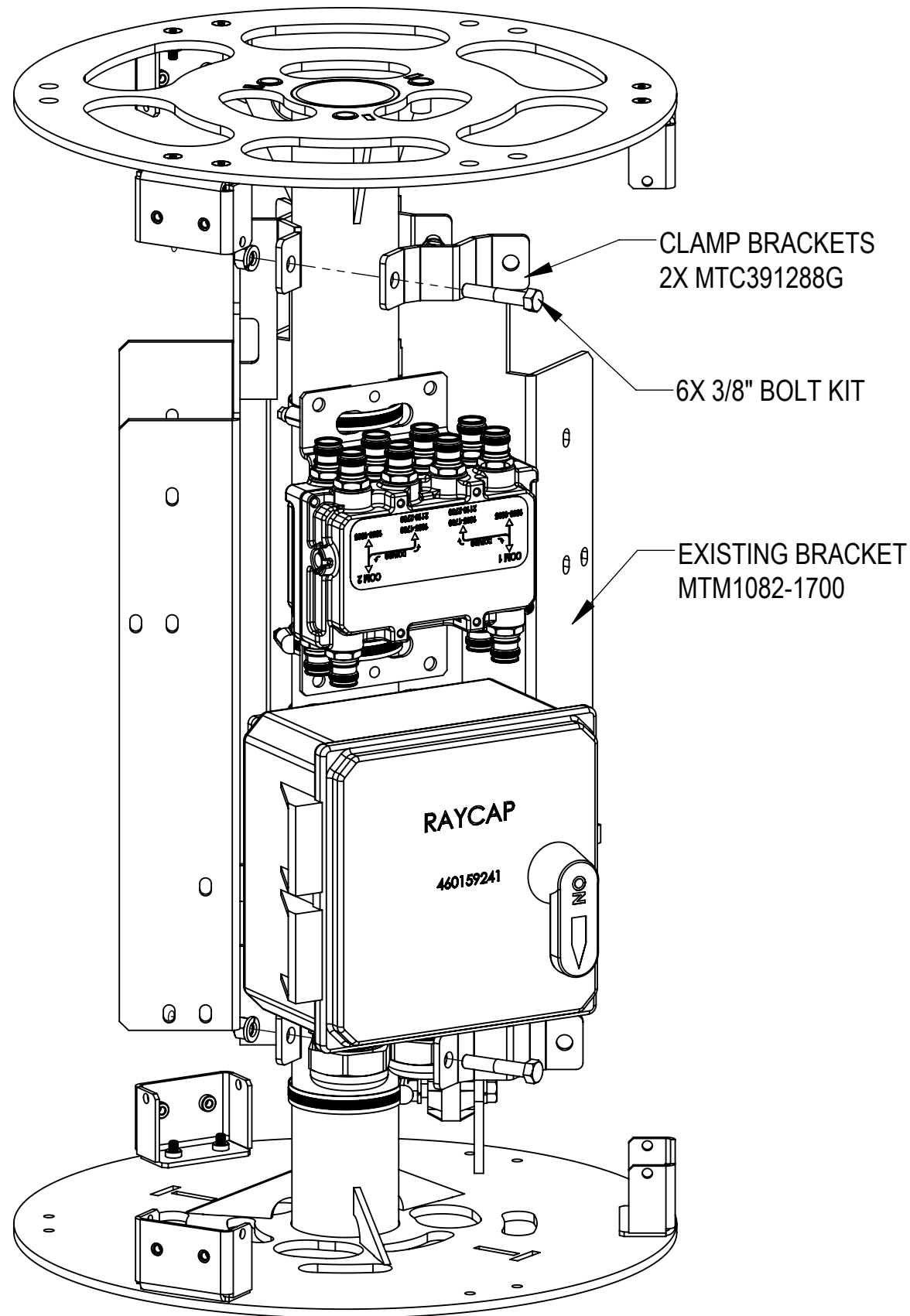
RAYCAP

INSTALL THE RAYCAP TO MOUNTING BRACKET MTC391285 USING 4X 1/4" BOLTS, LOCK WASHERS.

INSTALL TO THE POLETOP WELDMENT USING 2X ROUND CLAMPS. RAYCAP SHOULD BE APPROXIMATELY LOCATED AND ORIENTED AS SHOWN IN THE VIEWS.

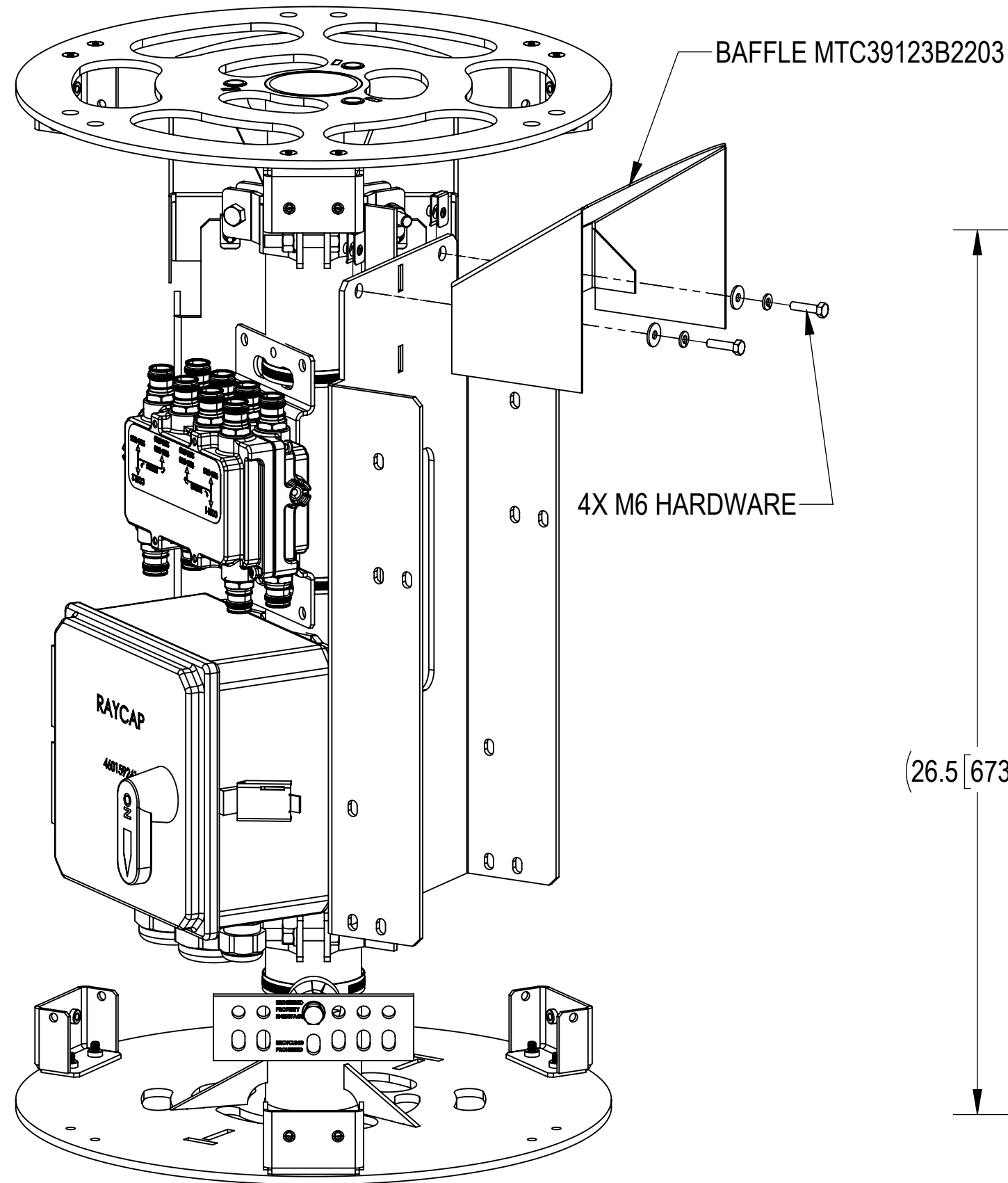
COMMSCOPE, INC. OF NORTH CAROLINA				
TITLE 760233122E10 INSTALL				
SIZE C	SCALE 1:5	DOCUMENT NO. 760233122E10 INSTALL		
		DRAWING		SHEET
		VERSION	STATUS	REVISION
		03	RE	C
				2 OF 3

4X ERC2203 CONFIGURATION



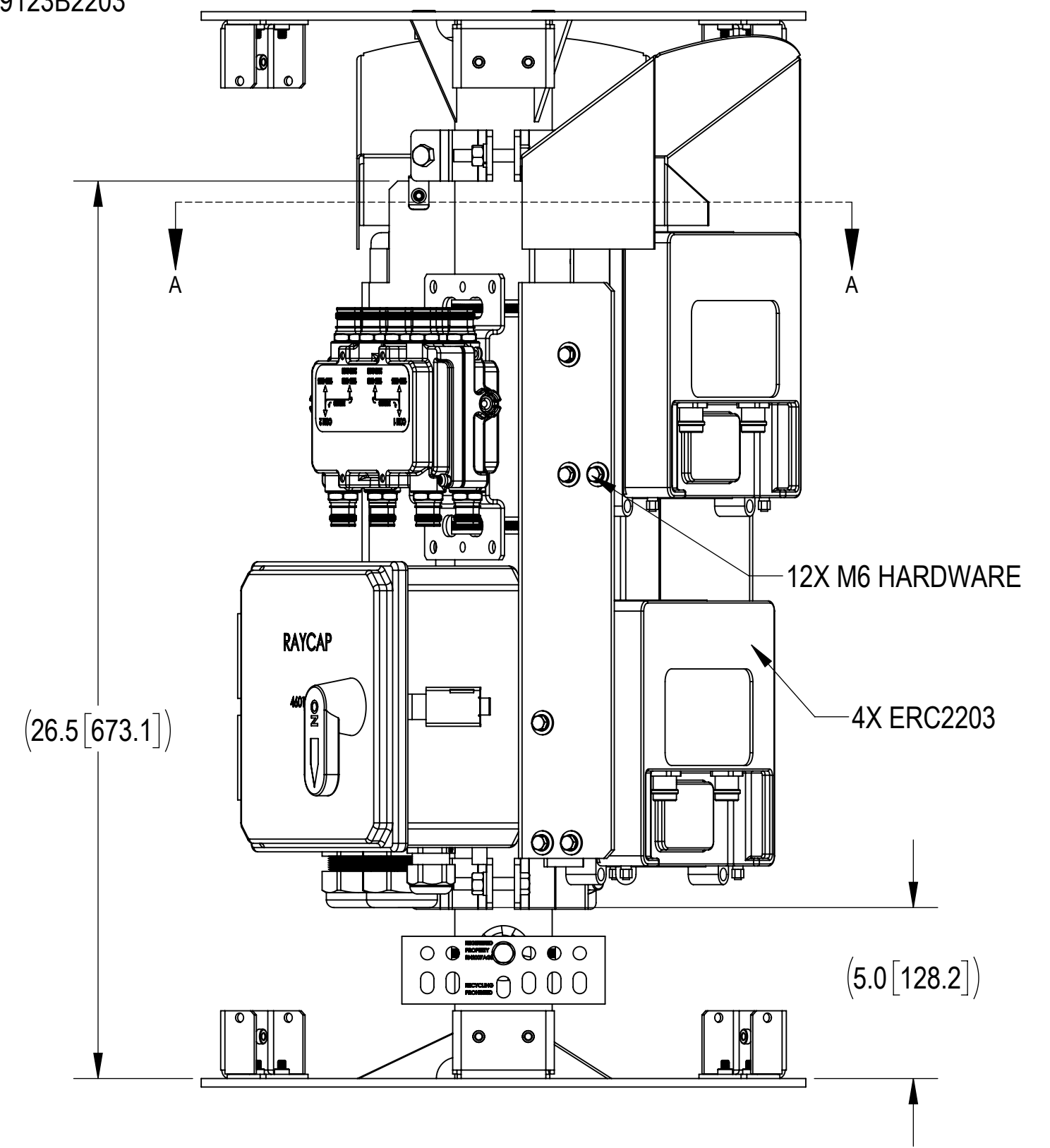
STEP 2

RE-INSTALL 2 SETS OF CLAMP BRACKETS MTC391288G USING 6X 3/8" BOLT KIT. THE BRACKETS SHOULD BE APPROXIMATELY LOCATED AS SHOWN IN THE VIEWS.



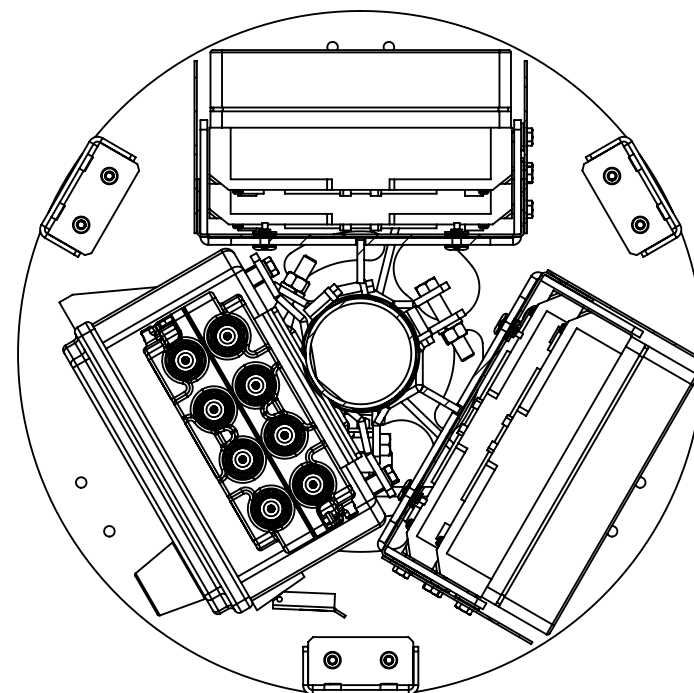
STEP 3

RE-INSTALL 2 SETS OF BAFFLES USING 4X M6 SCREWS, LOCK WASHERS AND FLAT WASHERS.



STEP 4

RE-INSTALL THE 4X ERC2203 RADIOS USING 12X M6 BOLTS, LOCK WASHERS AND FLAT WASHERS



COMMSCOPE, INC. OF NORTH CAROLINA				
TITLE 760233122E10 INSTALL				
SIZE C	SCALE 1:5	DOCUMENT NO. 760233122E10 INSTALL		
		DRAWING		SHEET
		VERSION 03	STATUS RE	REVISION C
				3 OF 3