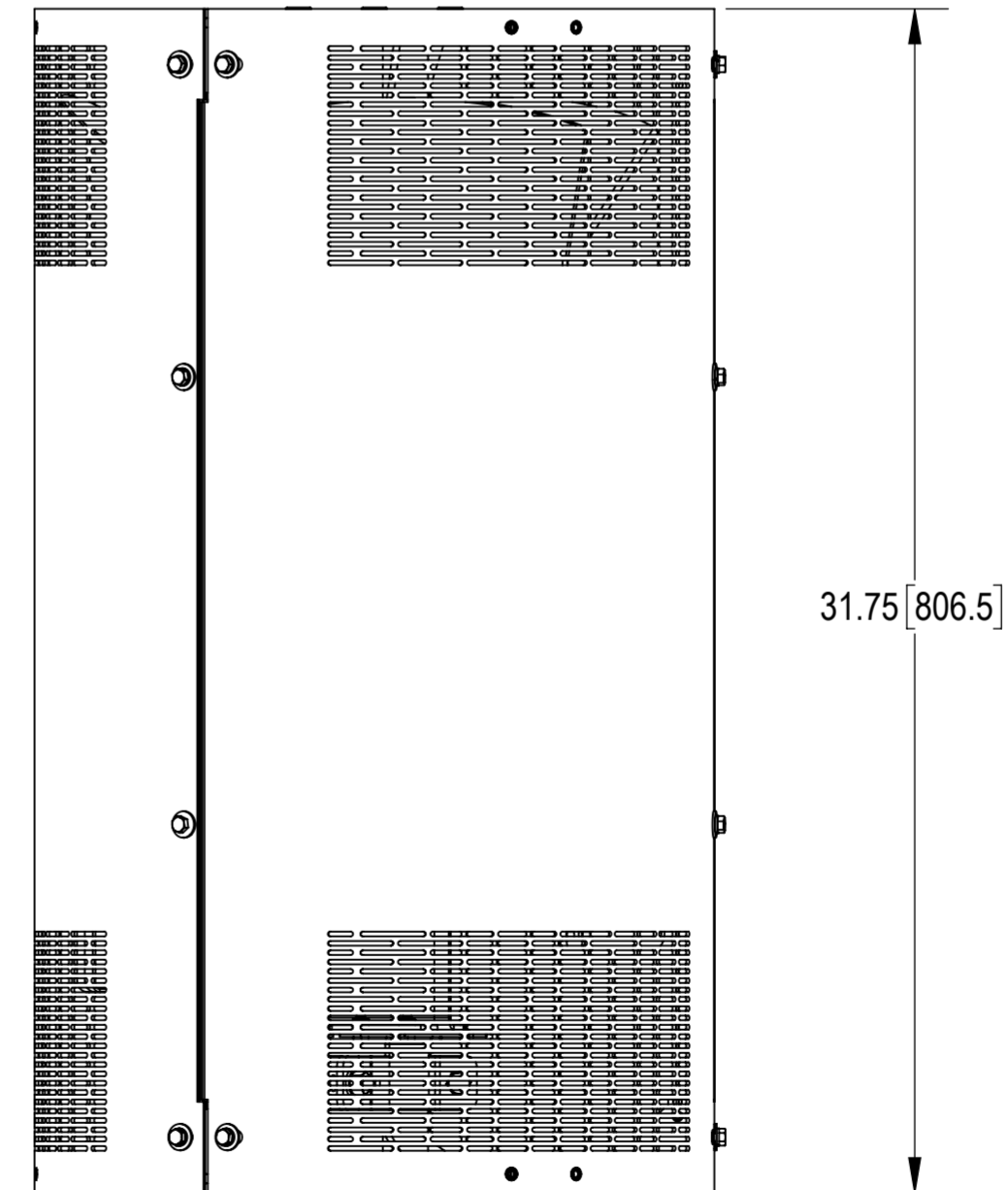
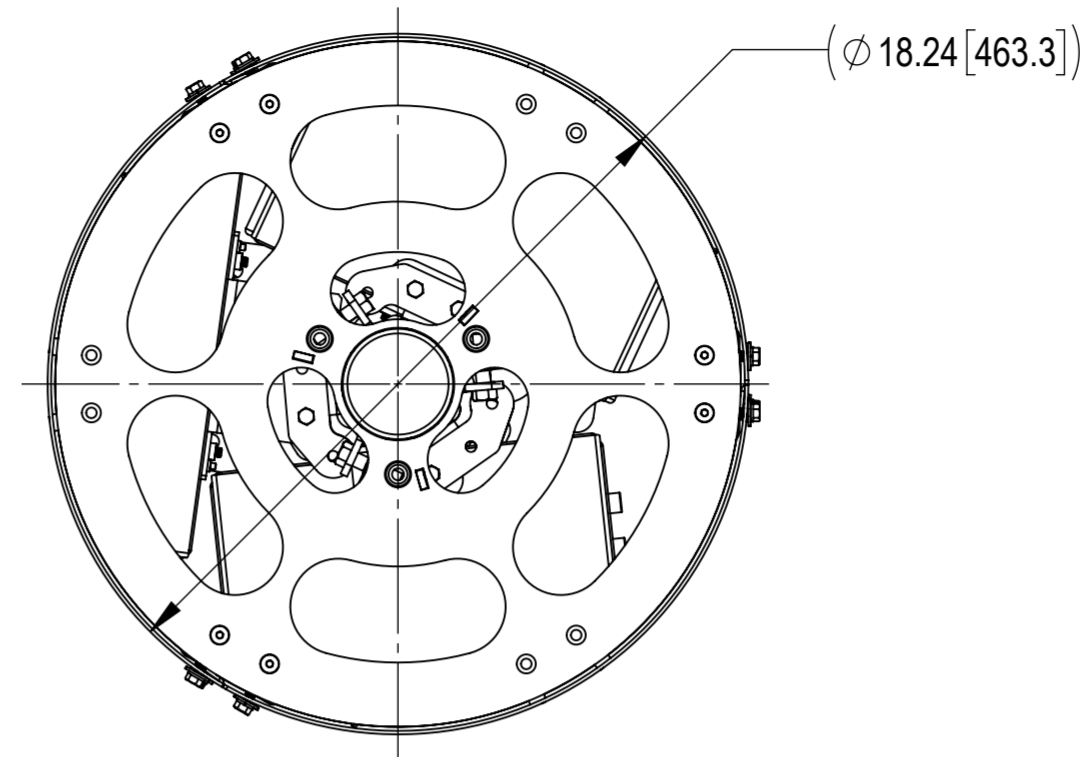
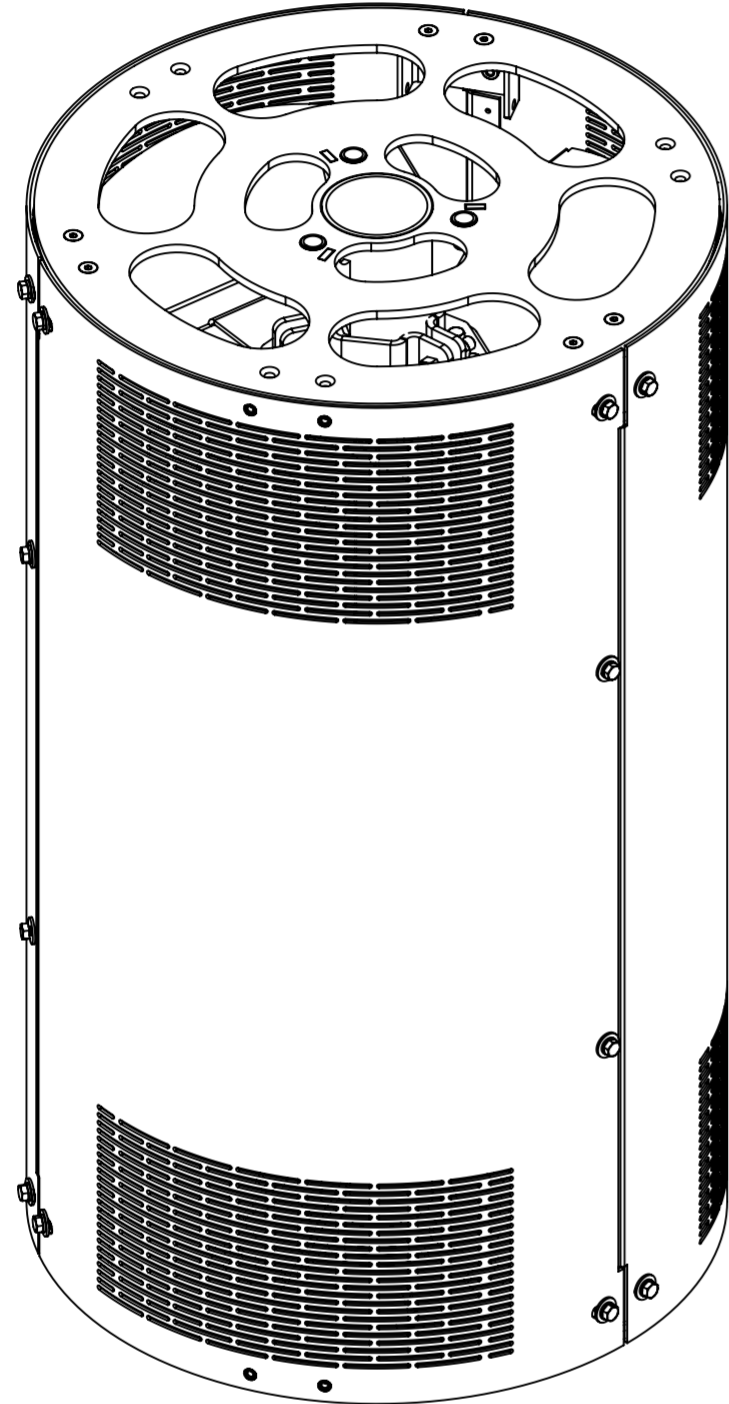


# Installation Instructions



## 860664823-AMK-006-INSTALL INSTALLATION INSTRUCTION

BRKS KIT 18"PT ERC4471,4461



REVISIONS			
REV.	DESCRIPTION	DATE	APPROVED
A	INITIAL RELEASE	MS1288 22JUL25	LX1002 50104045AMO

This table show the evolution and history of document from initial to current version.

Further information regarding ANDREW's commitment can be found at <https://www.andrew.com/sustainability/>.  
 Visit our website or contact your local ANDREW representative for more information.  
 This product is covered by one or more U.S. patents or their foreign equivalents. For patents, see [www.adwpat.com](http://www.adwpat.com)

# Installation Instructions

## 1.0 GENERAL NOTES

- 1.1 ALL METRIC DIMENSIONS ARE IN BRACKETS [X.X]
- 1.2 FEATURES CRITICAL TO QUALITY ARE INDICATED IN ROUNDED BOX X.X
- 1.3 3D DIGITAL FILES ARE FOR REFERENCE. IN CASE OF CONFLICTS FOLLOW PDF

## 2.0 DESIGN NOTES

### 3.0 MANUFACTURING/SPECIAL REQUIREMENTS

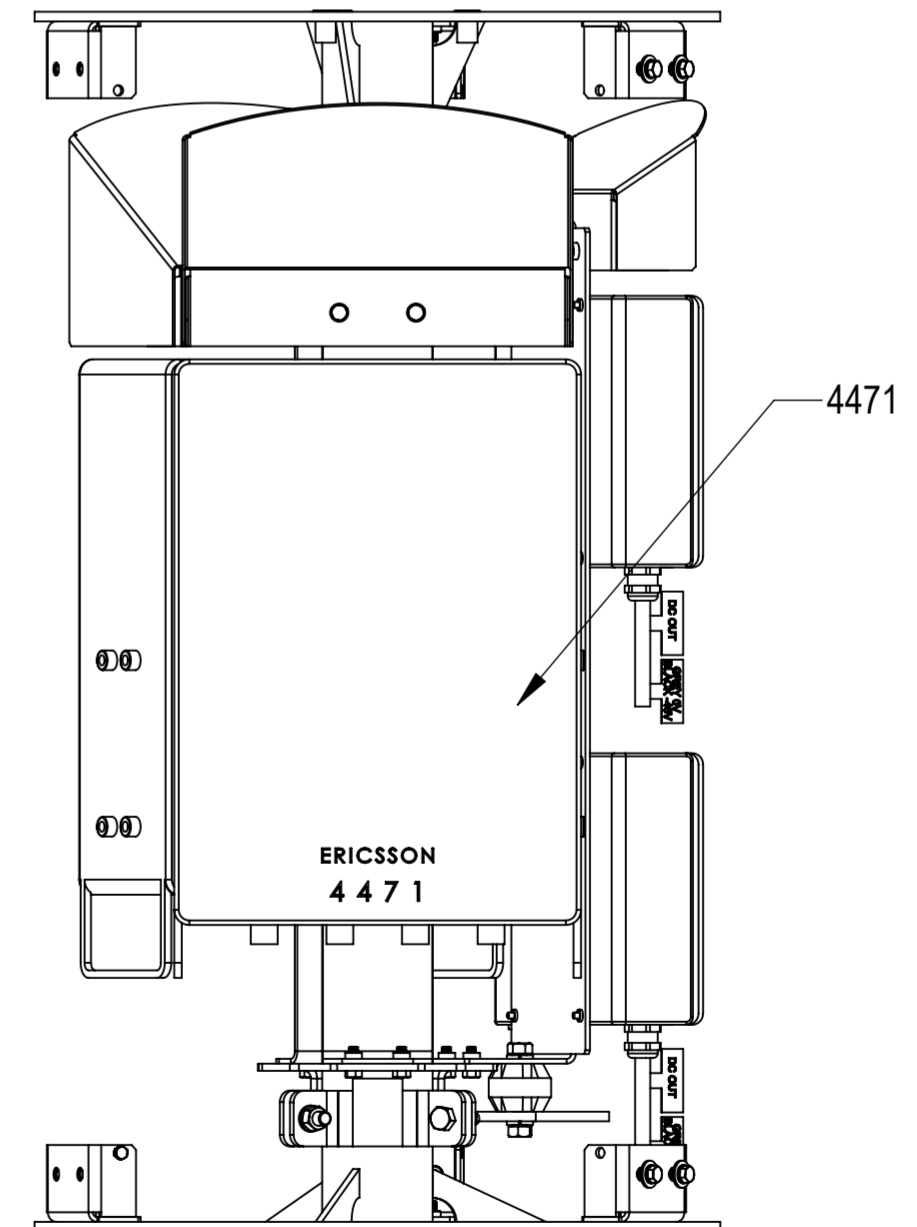
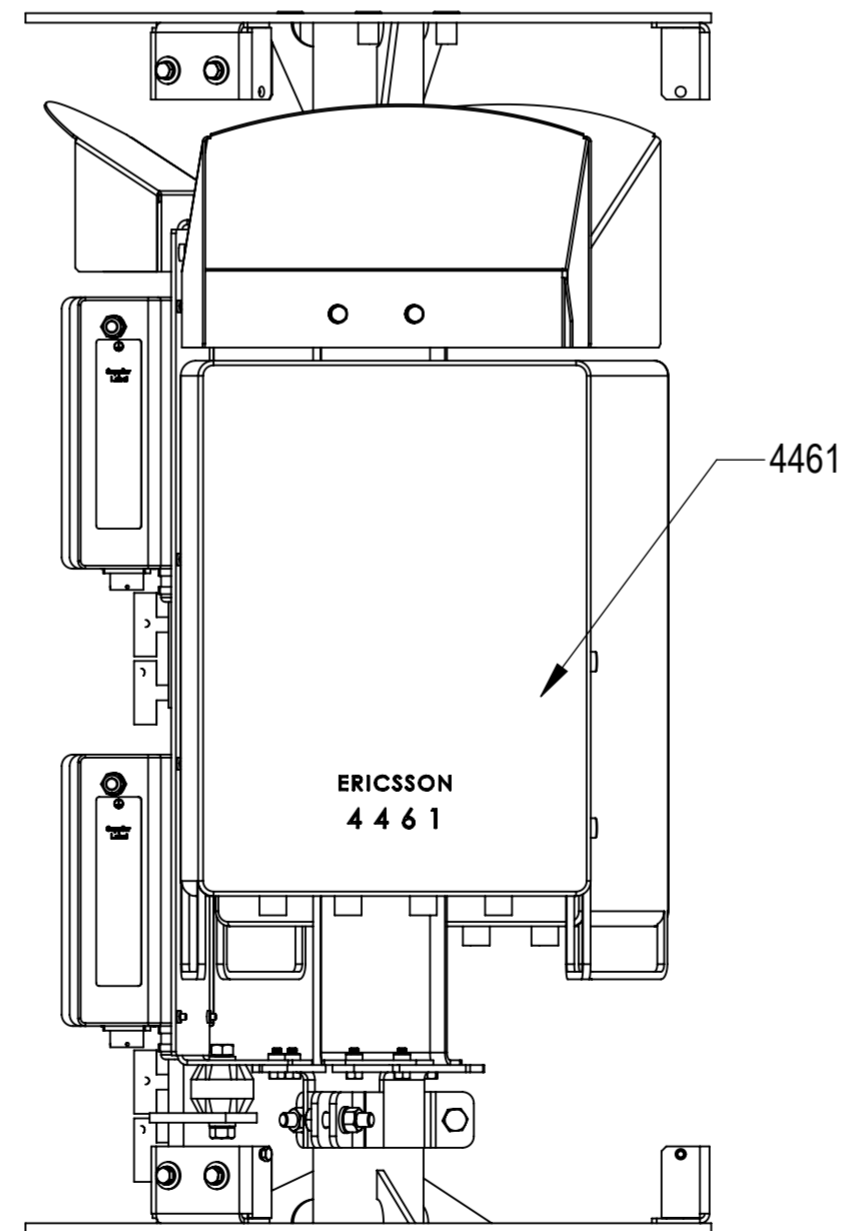
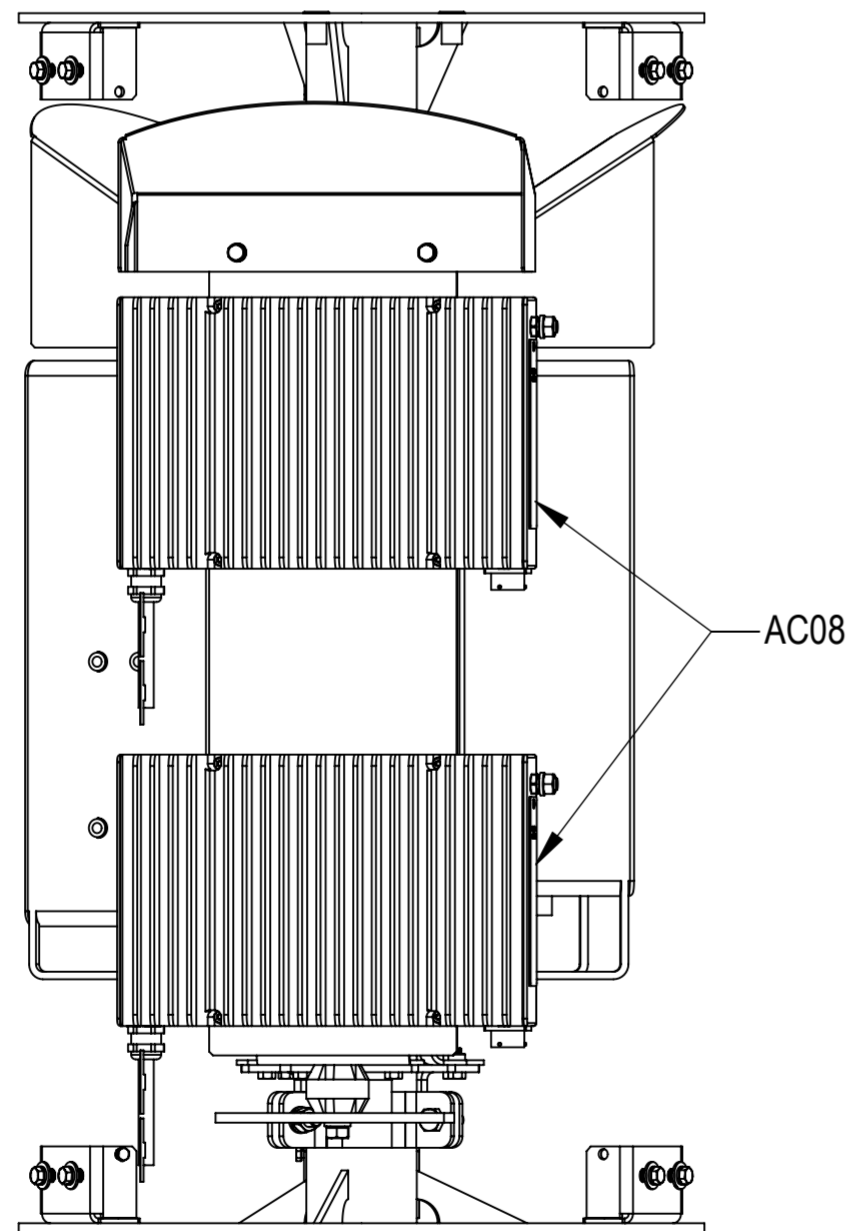
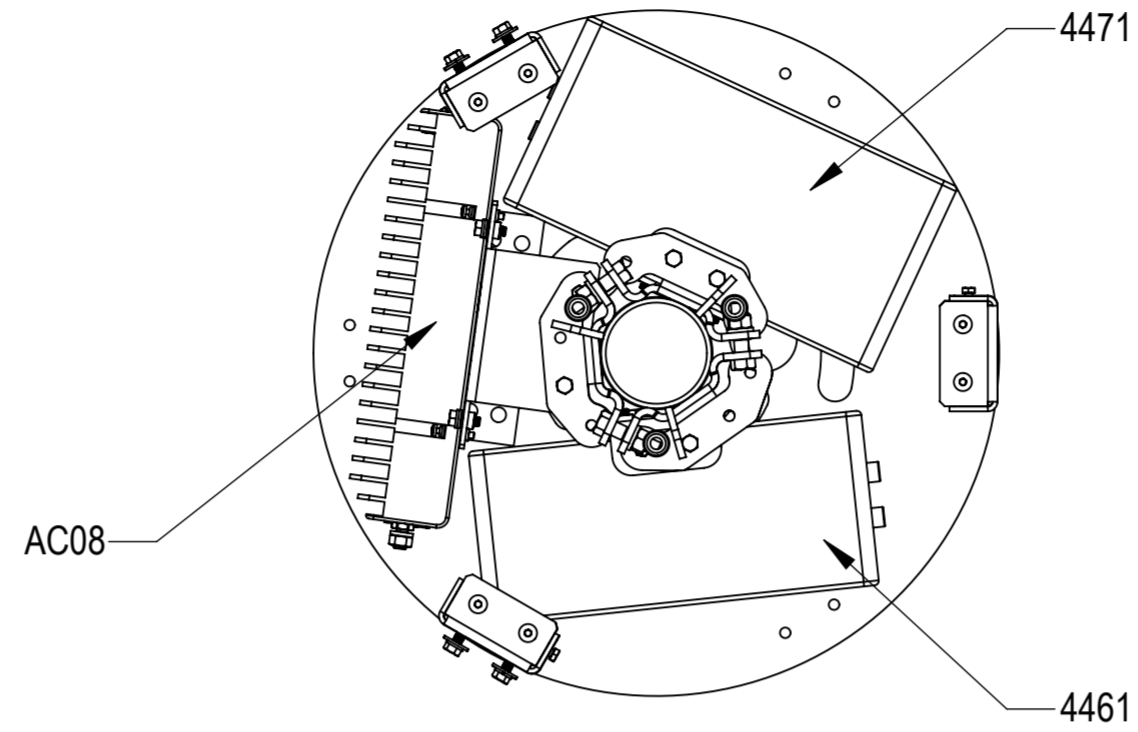
- 3.1 TIGHTEN HARDWARE, TORQUE VALUE ARE SHOWN BELOW AS REFERENCE,
- M6: TORQUE 40.0 IN-LB OR 4.5 N-M (W/ CLIP NUT)
- M6: TORQUE 46.0 IN-LB OR 5.2 N-M (W/ THREADED CAST AL)
- M6: TORQUE 75.0 IN-LB OR 8.5 N-M (W/ STEEL NUT)
- M8: TORQUE 6.6 FT-LB OR 9.0 N-M (W/ THREADED CAST AL)
- 3/8-16: TORQUE 19.6 FT-LB OR 26.6 N-M

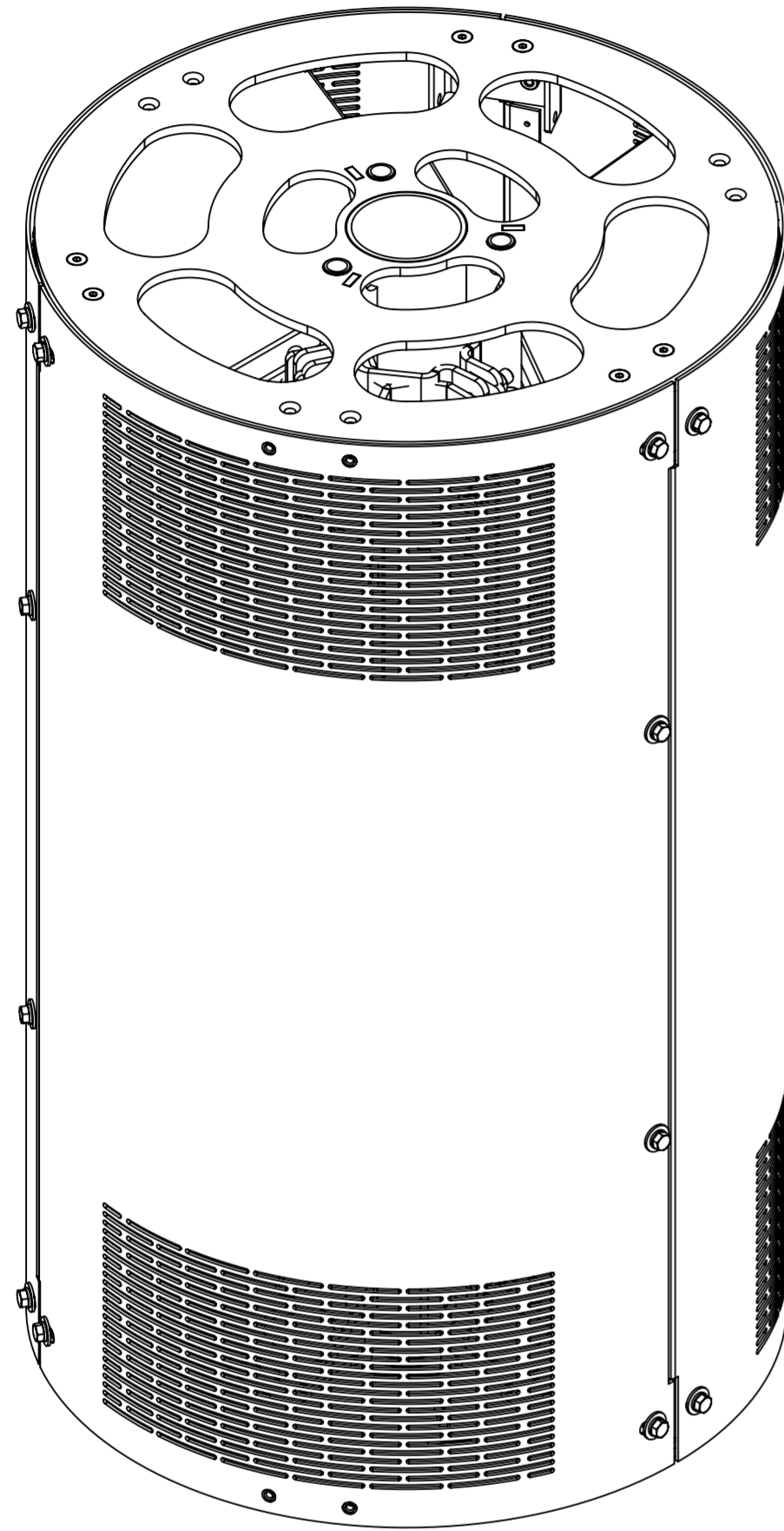
## 4.0 TEST

## 5.0 PACKAGING

5.1 THIS PRINTED DOCUMENT TO BE PLACED INSIDE SHIPPING BOX FOR CUSTOMER INSTALLATION

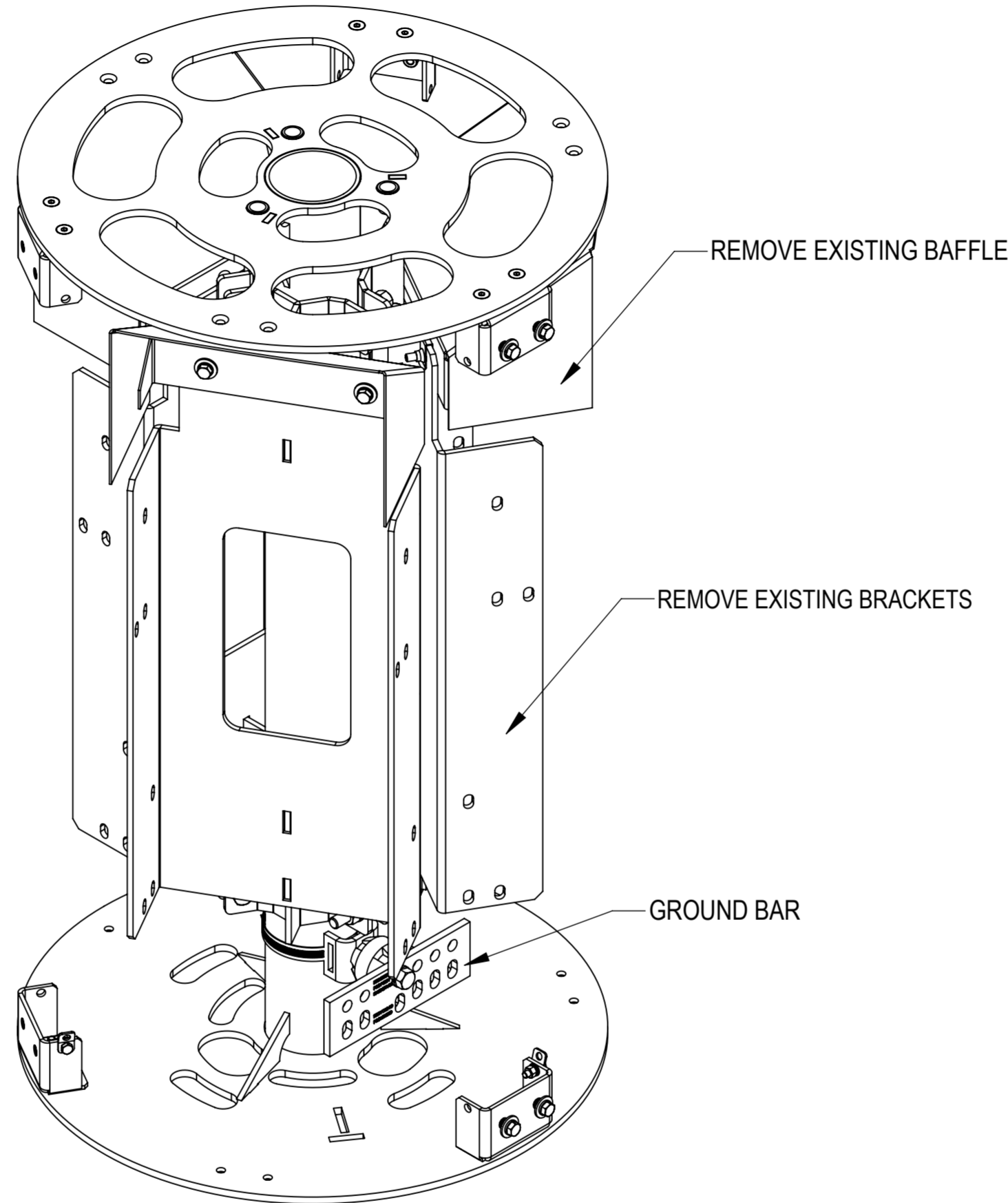
CONFIGURATION	APPROVED RADIO CONFIGURATIONS		
	4461	4471	AC08
1	1	1	2





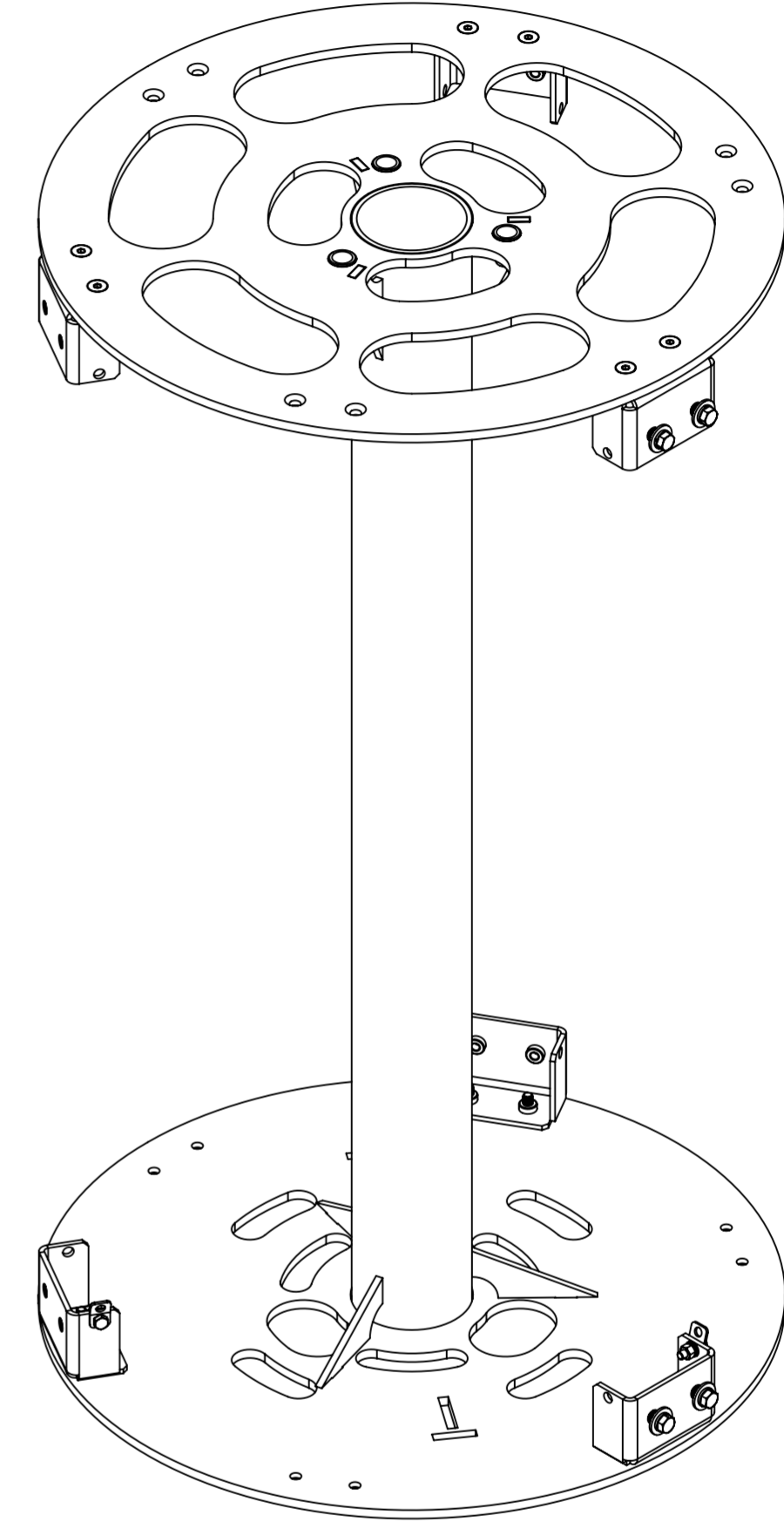
## STEP 1

REMOVE AND RETAIN COVERS & HARDWARE



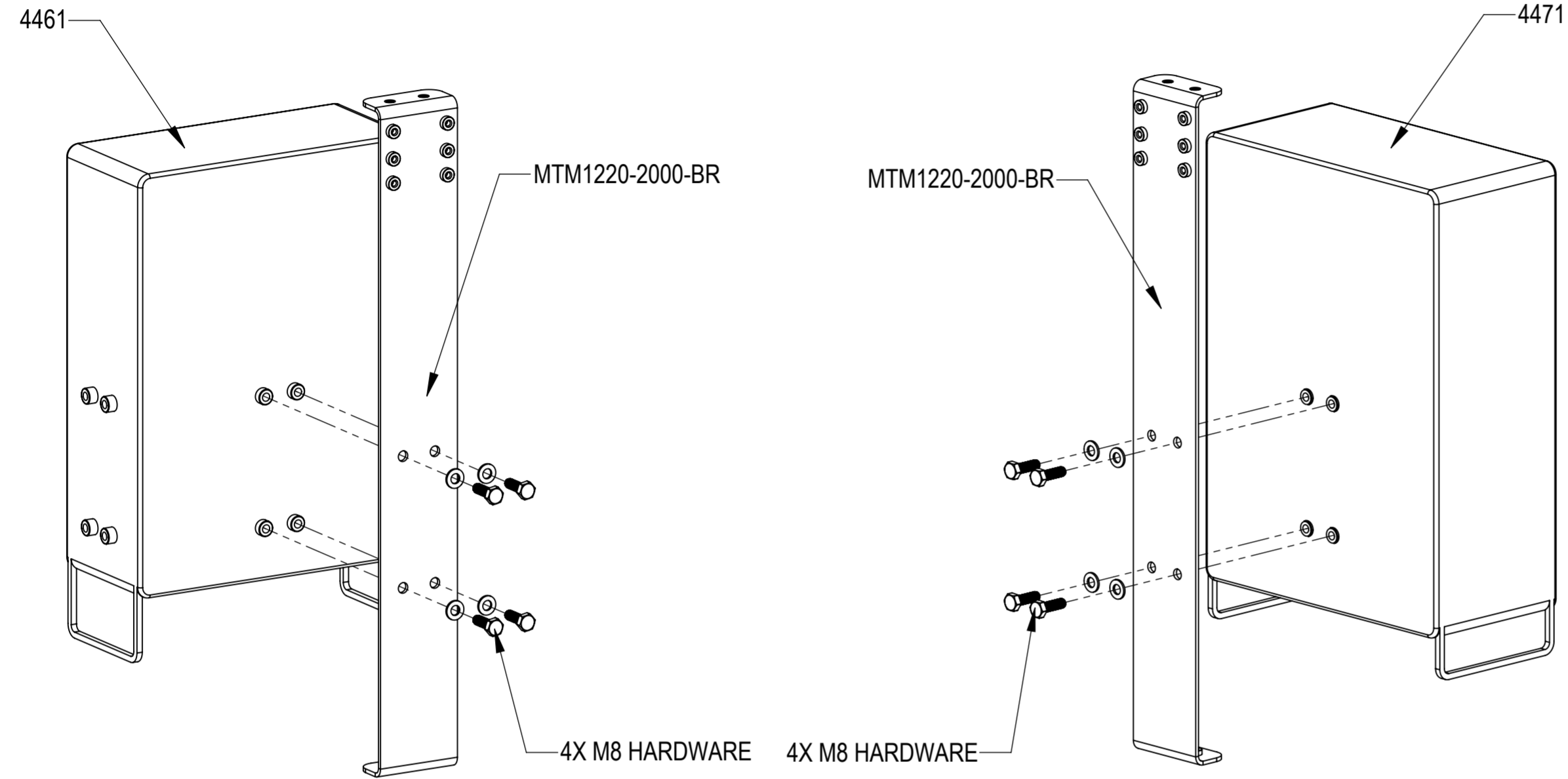
## STEP 2

REMOVE THE EXISTING BRACKETS, BAFFLES AND HARDWARE  
REMOVE AND RETAIN GROUND BAR



## STEP 3

POLETOP 18" AFTER REMOVING OLD BRACKETS ,  
BAFFLE AND GROUND BAR

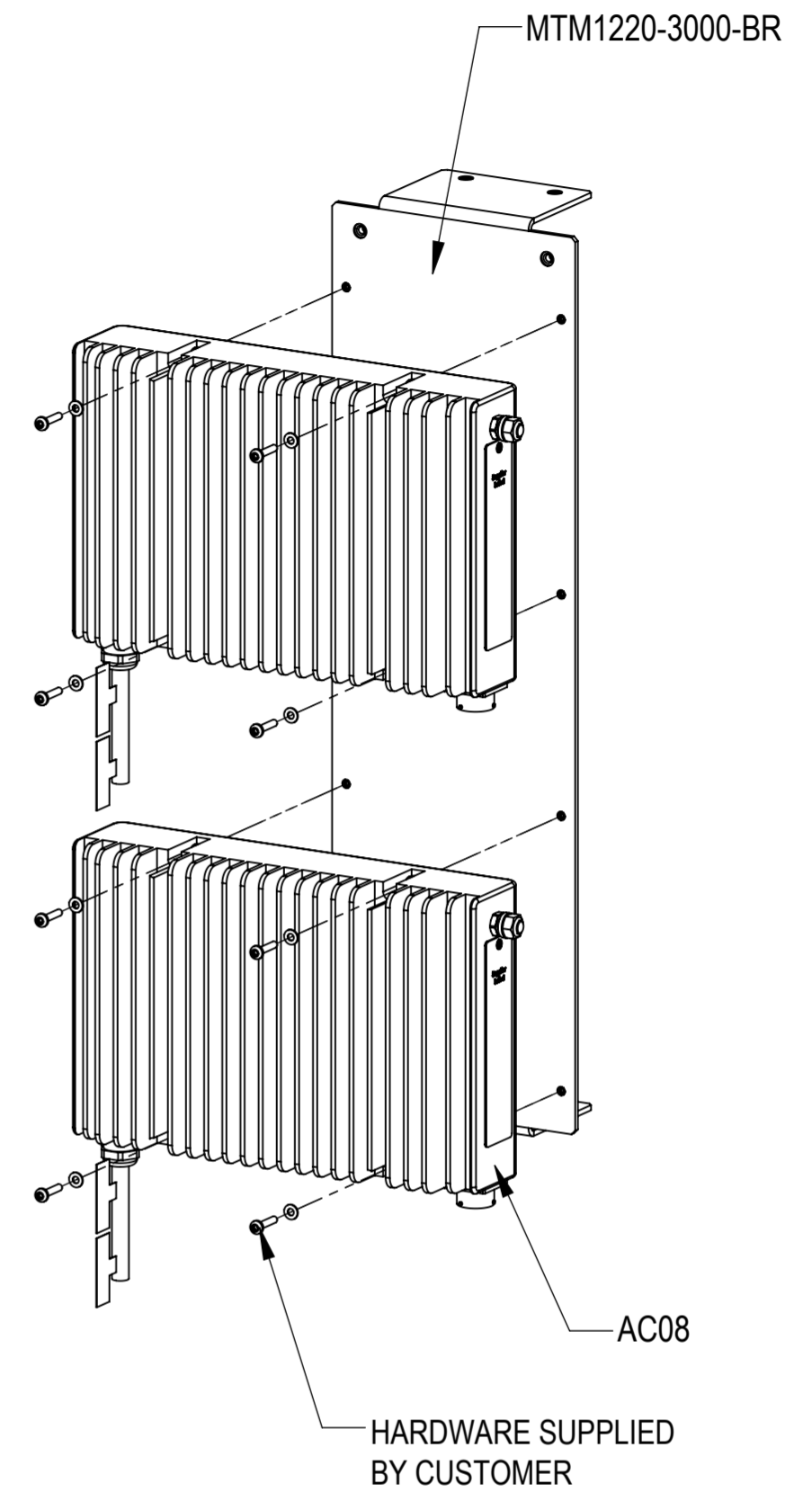


## STEP 4

INSTALL 4461 TO THE BRACKET MTM1220-2000-BR USING 4 SETS OF M8 HEX BOLTS, FLAT WASHERS AS SHOWN

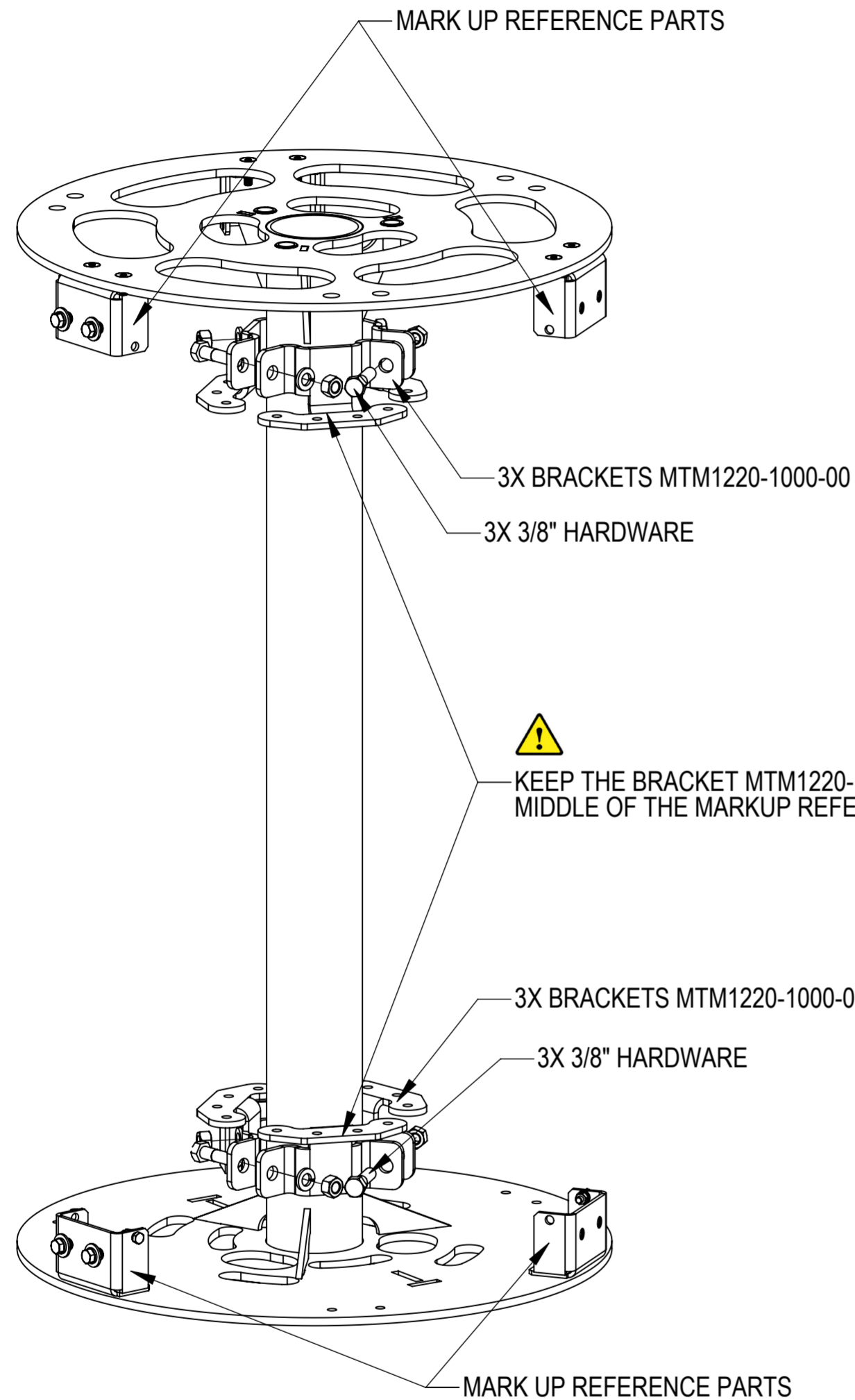
## STEP 5

INSTALL 4471 TO THE BRACKET MTM1220-2000-BR USING 4 SETS OF M8 HEX BOLTS, FLAT WASHERS AS SHOWN



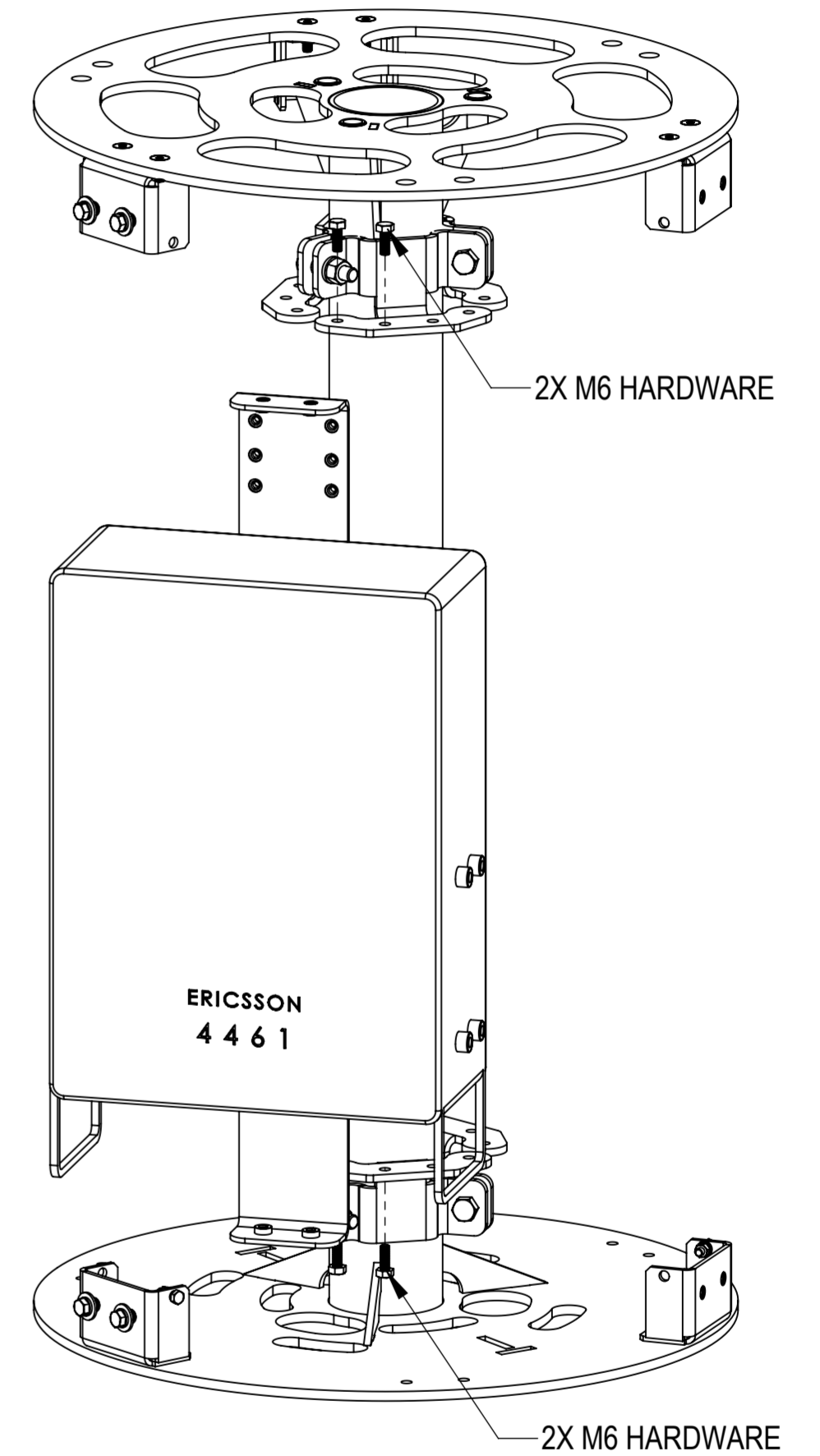
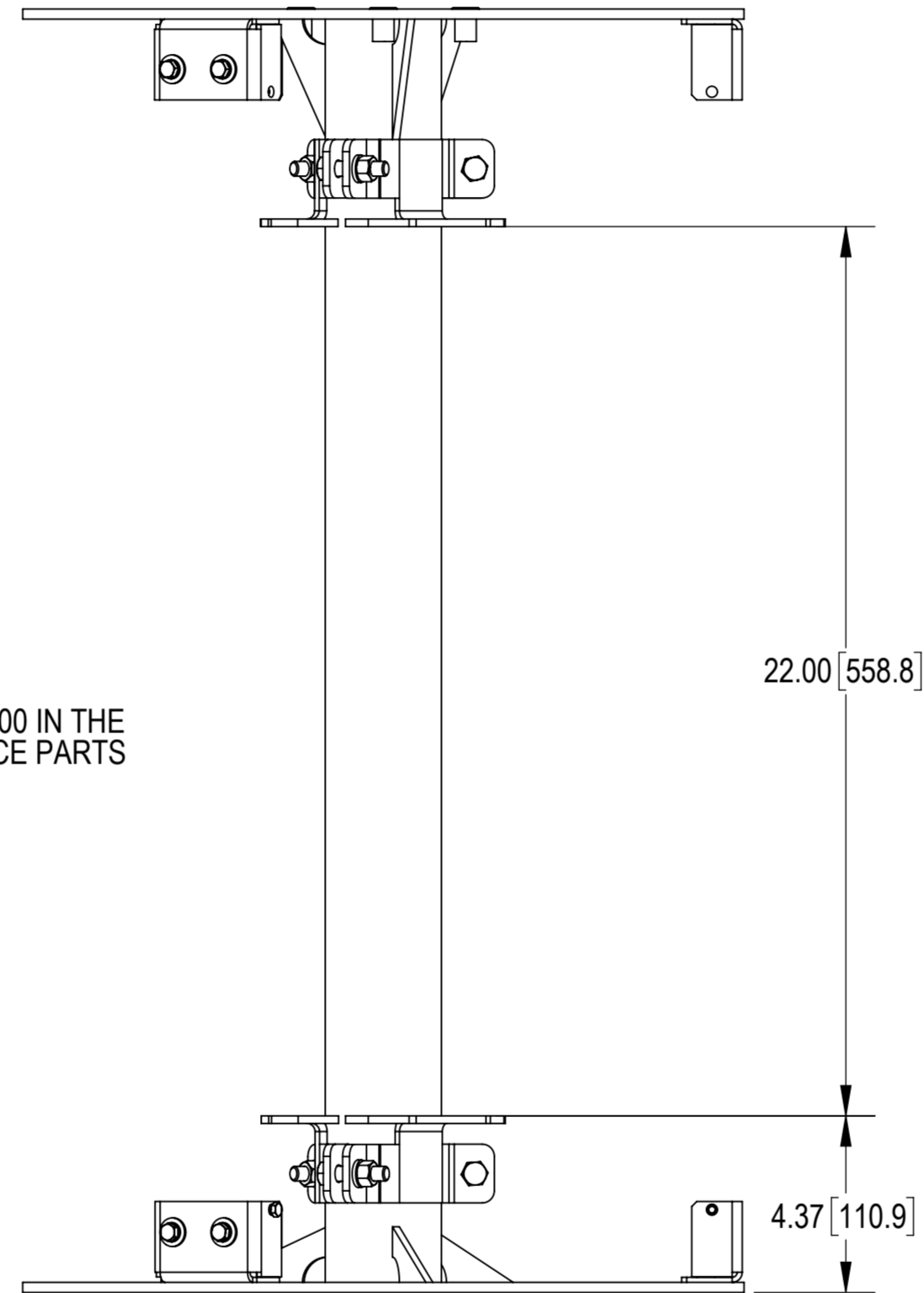
## STEP 6

INSTALL 2EA AC08 TO THE BRACKET MTM1220-3000-BR USING HARDWARE SUPPLIED BY CUSTOMER



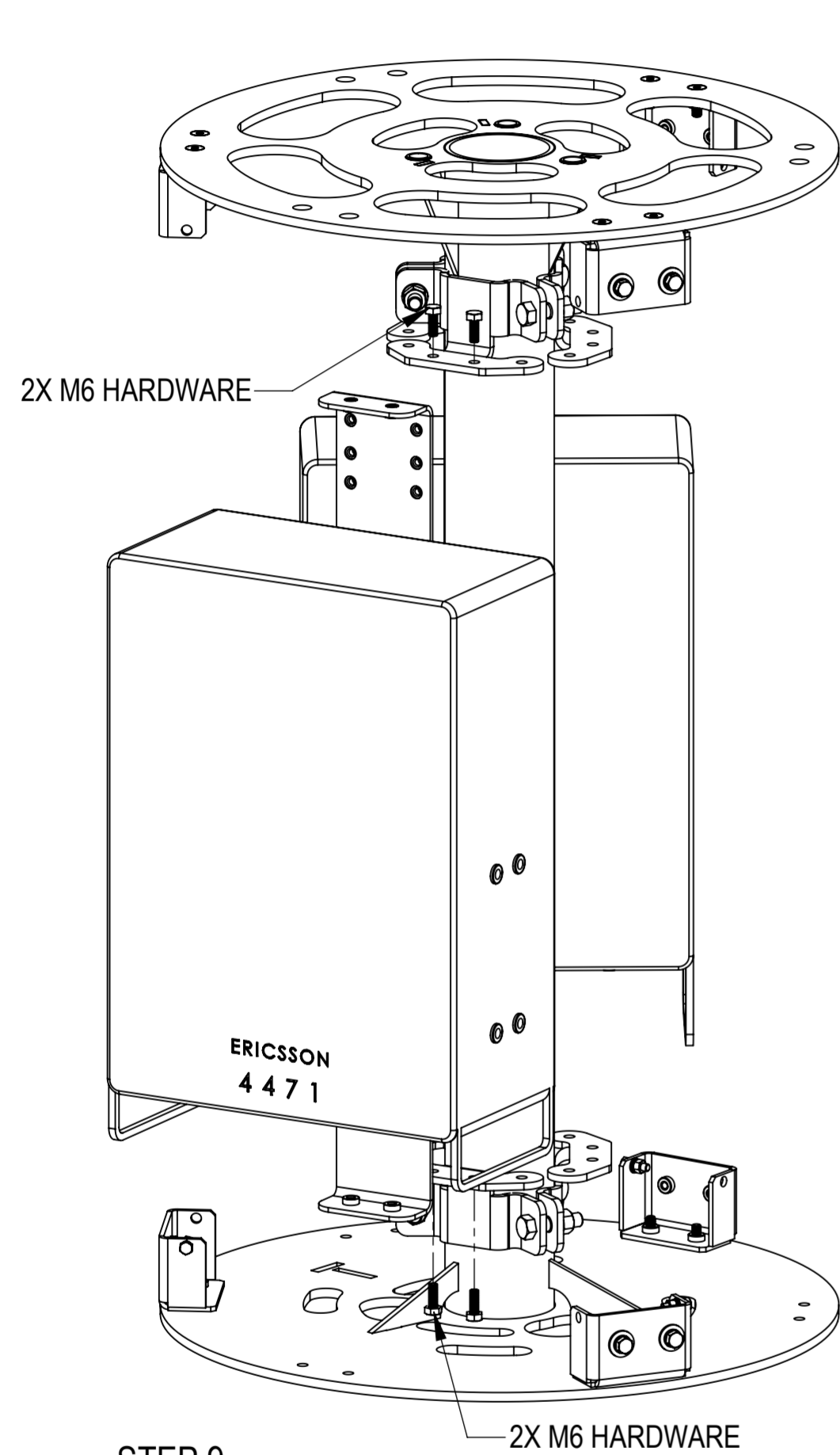
**STEP 7**

INSTALL 6EA BRACKETS MTM1220-1000-00 TO POLETOP USING 6 SETS OF 3/8" HEX BOLTS, LOCK WASHERS AND NUTS AS SHOWN



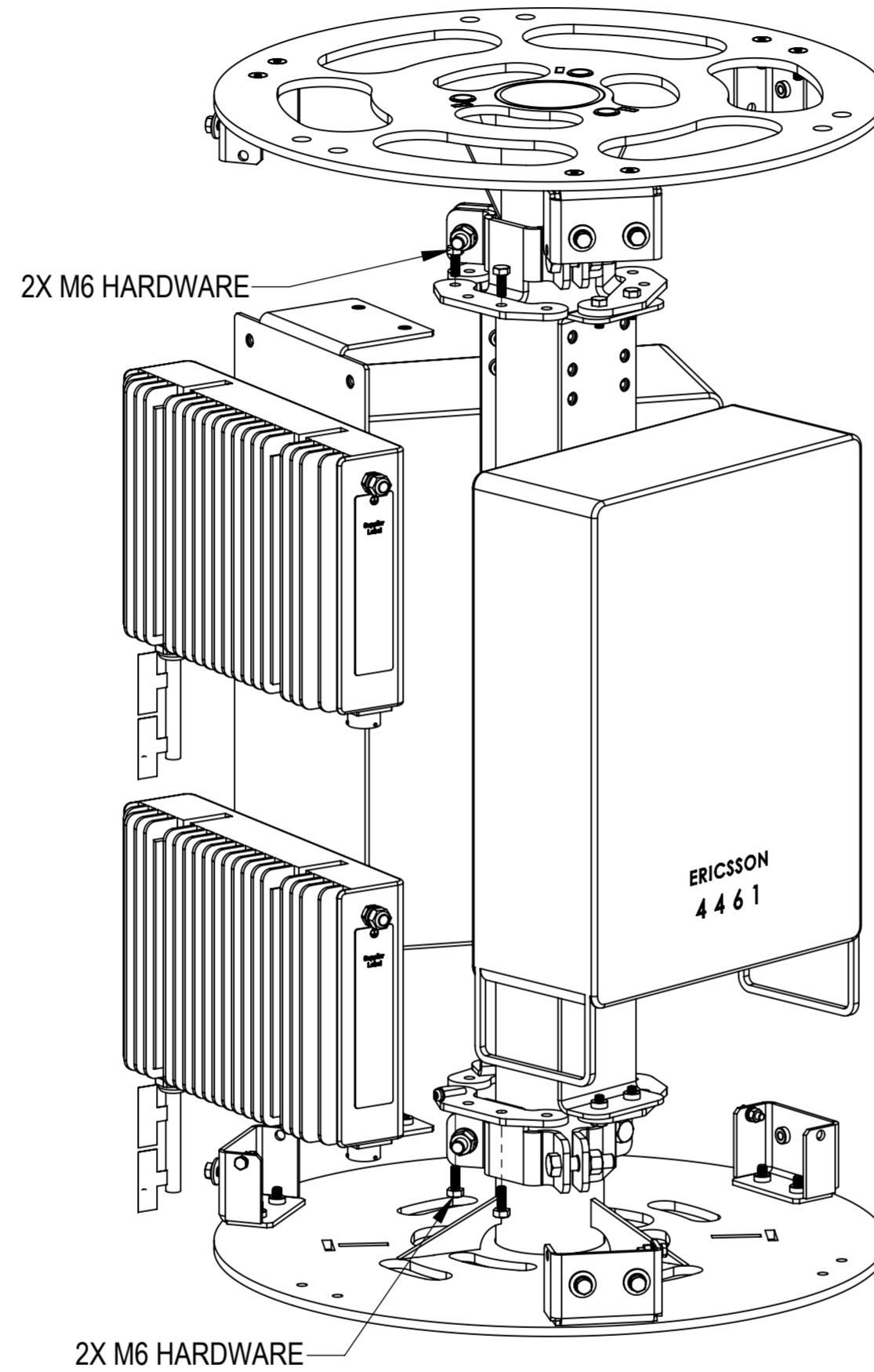
**STEP 8**

INSTALL 4461 ASSY TO BRACKETS MTM1220-1000-00 USING 4 SETS OF SCREWS AS SHOWN



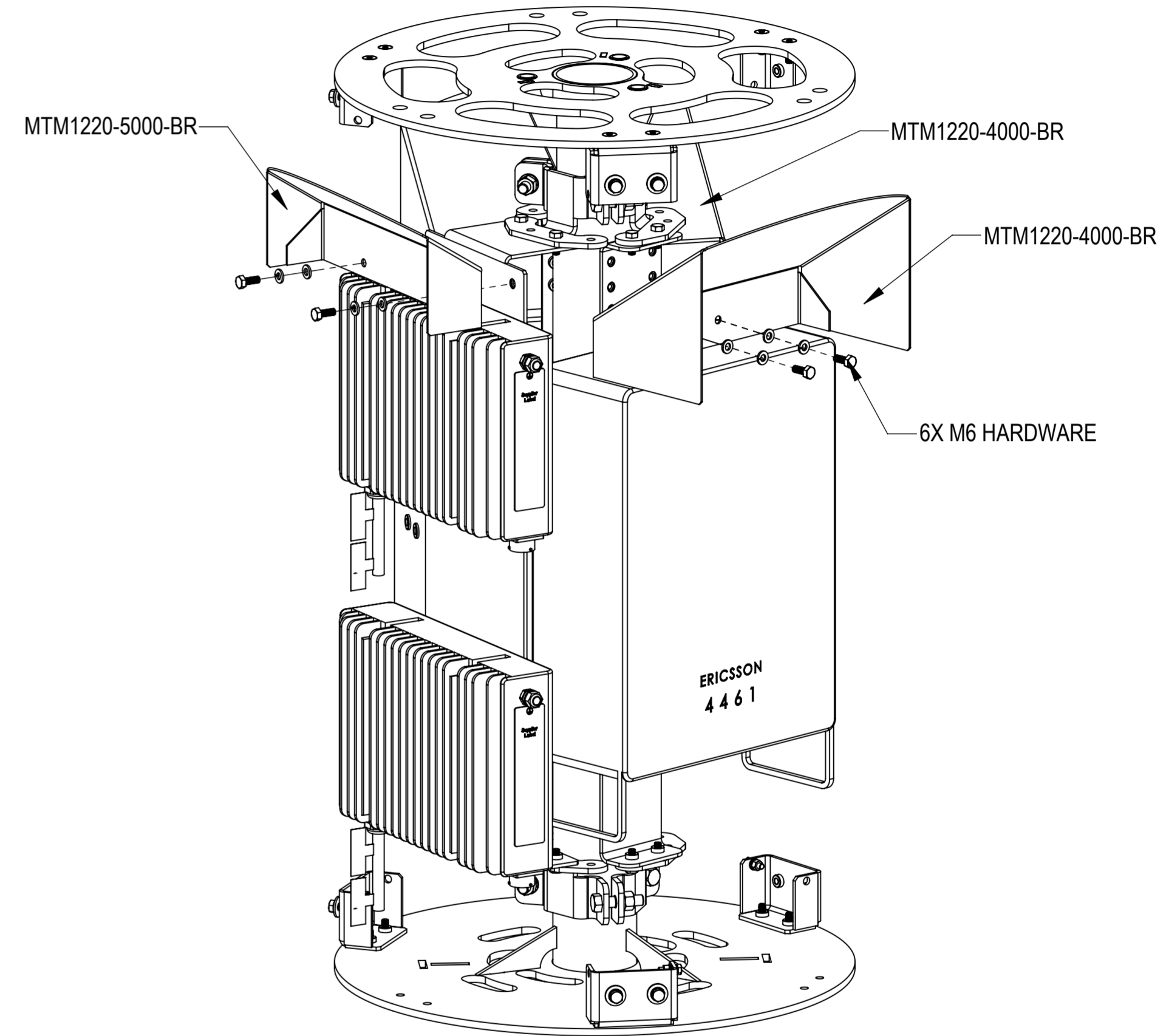
**STEP 9**

INSTALL 4471 ASSY TO BRACKETS MTM1220-1000-00 USING 4 SETS OF SCREWS AS SHOWN



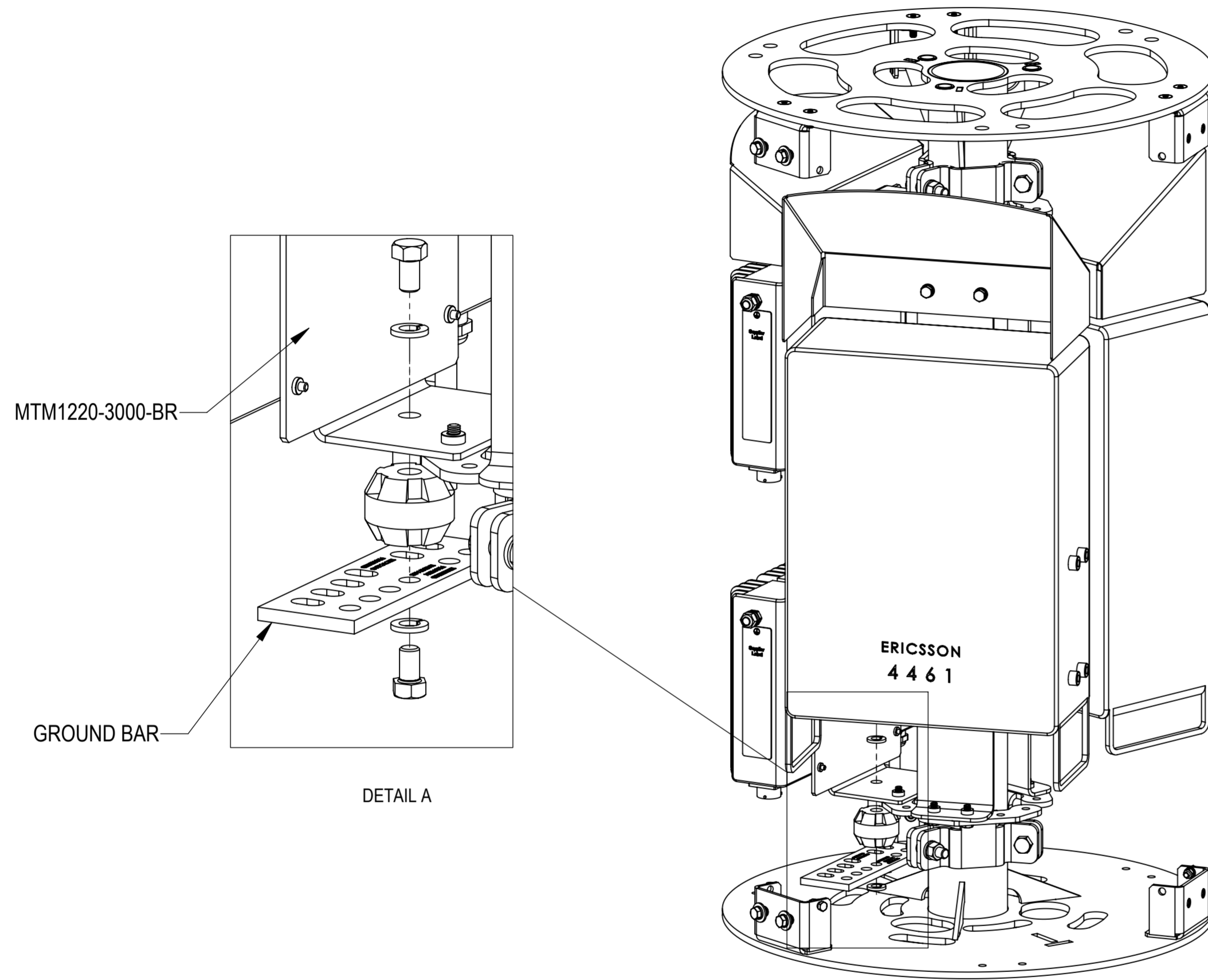
**STEP 10**

INSTALL AC08 ASSY TO BRACKETS MTM1220-1000-00 USING 4 SETS OF SCREWS AS SHOWN



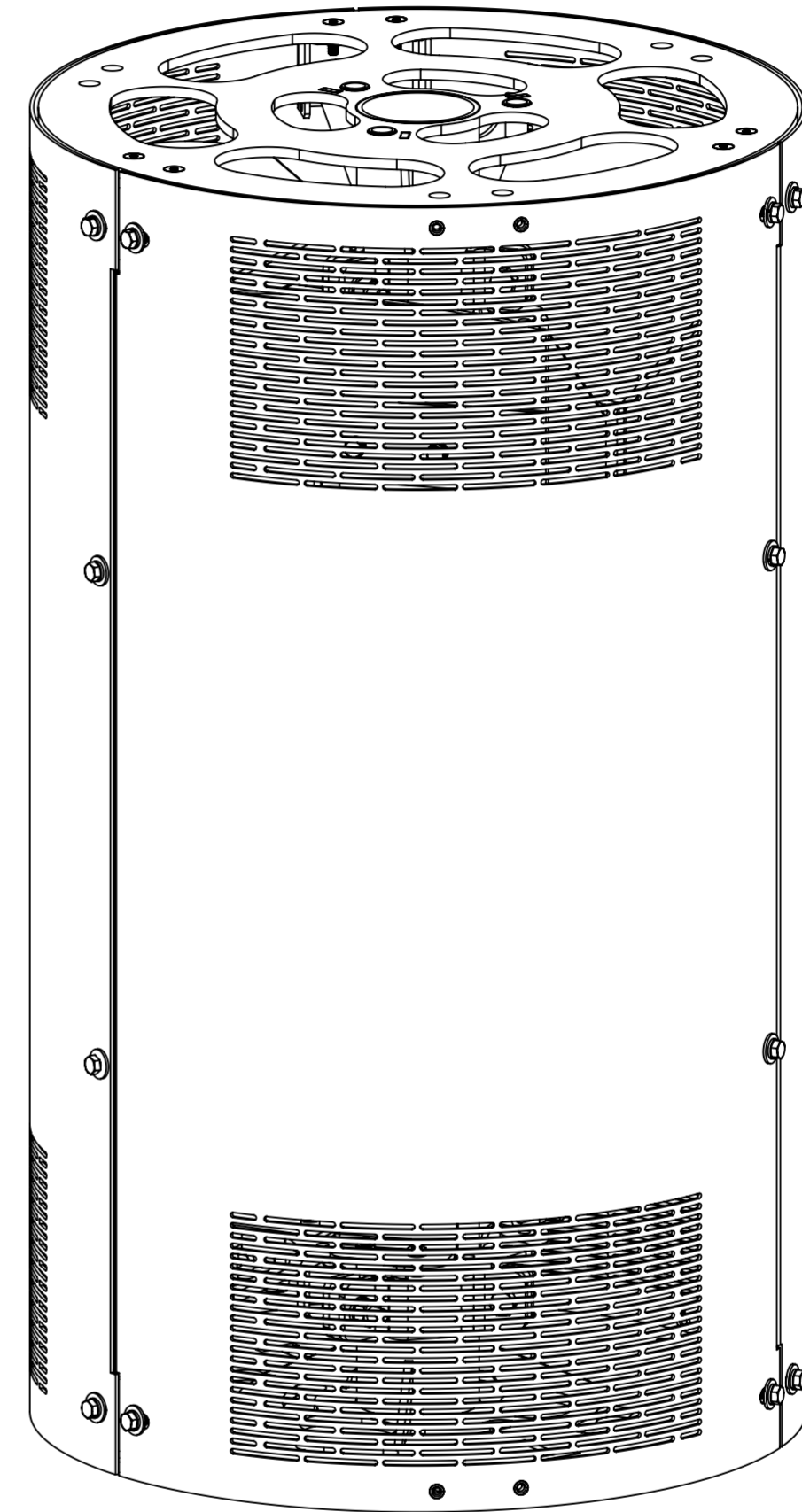
**STEP 11**

INSTALL BAFFLES MTM1220-4000-BR & MTM1220-5000-BR TO BRACKETS USING 6 SETS OF SCREWS, LOCK AND FLAT WASHERS AS SHOWN



## STEP 12

INSTALL GROUND BAR TO BRACKETS MTM1220-3000-BR  
USING 2 SETS OF HEX BOLTS, LOCK WASHERS AS SHOWN



## STEP 13

RE-INSTALL COVERS