

Installation Instructions



1.0 GENERAL NOTES

1.1 ALL METRIC DIMENSIONS ARE IN BRACKETS [X.X]

2.0 DESIGN NOTES

3.0 MANUFACTURING/SPECIAL REQUIREMENTS

3.1 TIGHTEN HARDWARE, TORQUE VALUE ARE SHOWN BELOW AS REFERENCE,

M4: TORQUE 19.50 IN-LB OR 2.2 N-M

M6: TORQUE 40.0 IN-LB OR 4.5 N-M (W/ CLIP NUT)

M6: TORQUE 46.0 IN-LB OR 5.2 N-M (W/ THREADED CAST AL)

M6: TORQUE 75.0 IN-LB OR 8.5 N-M (W/ STEEL NUT)

M8: TORQUE 6.6 FT-LB OR 9.0 N-M (W/ THREADED CAST AL)

3.2 CONFIGURATIONS AND QUANTITY OF EQUIPMENTS IN INSTALLATION ARE LISTED ON TABLE.

3.3 EQUIPMENT INSTALLATION INSTRUCTION ON PAGE 3

ERICSSON CONFIGURATION	3.2 APPROVED ERICSSON RADIO CONFIGURATIONS			
	8863	4461	4471	PSU 6302 OR AC08
1	1			1
2		1		1
3			1	1

REVISIONS			
REV.	DESCRIPTION	DATE	APPROVE
A	INITIAL RELEASE	ZL1057 19NOV25	LX1002 50104899AMO

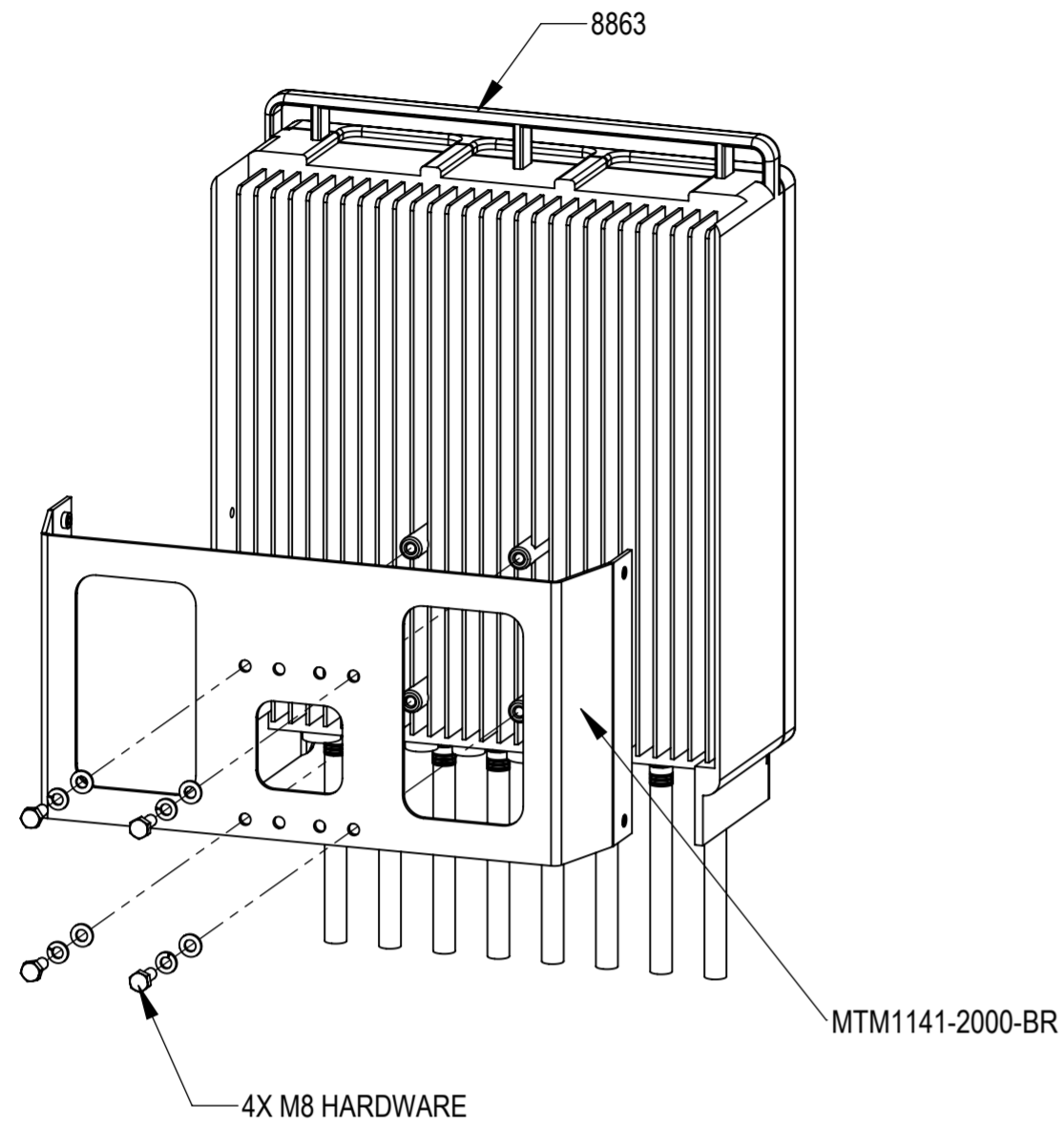
This table show the evolution and history of document from initial to current version.

Further information regarding ANDREW's commitment can be found at <https://www.andrew.com/sustainability/>.

Visit our website or contact your local ANDREW representative for more information.

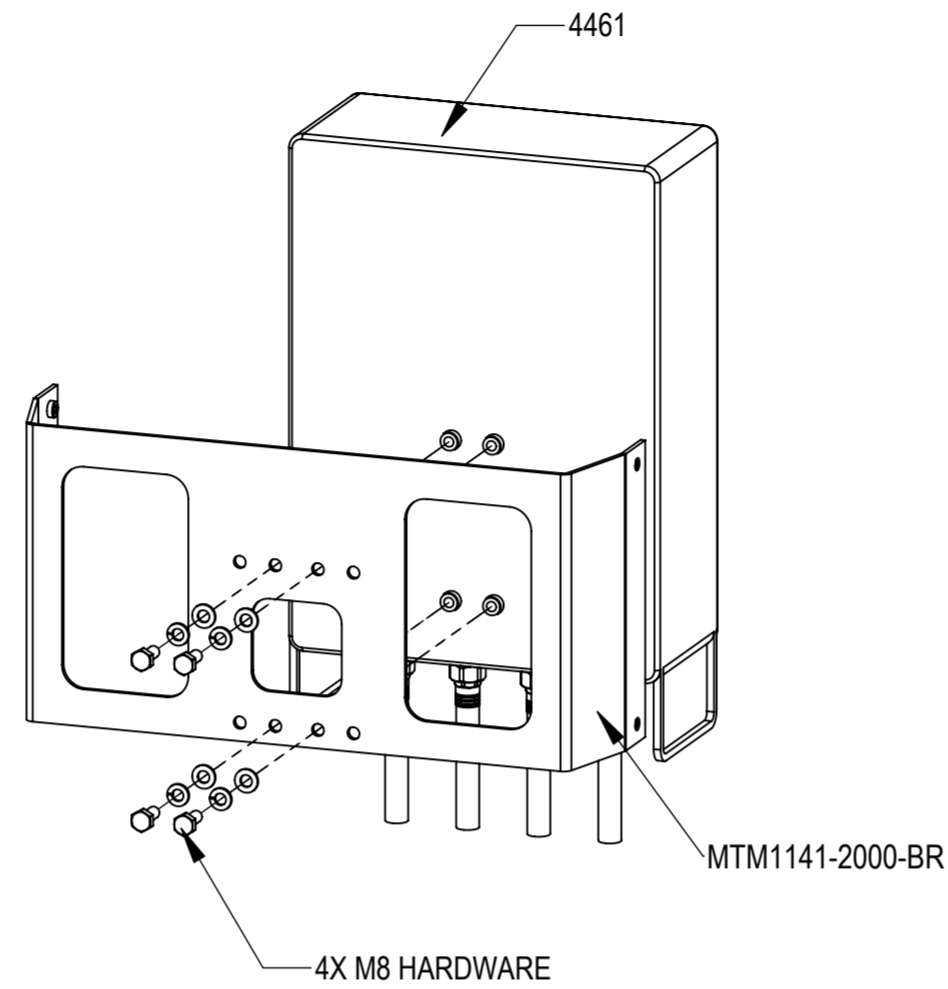
This product is covered by one or more U.S. patents or their foreign equivalents. For patents, see www.adwpat.com

EQUIPMENT MOUNTING INSTALLATION



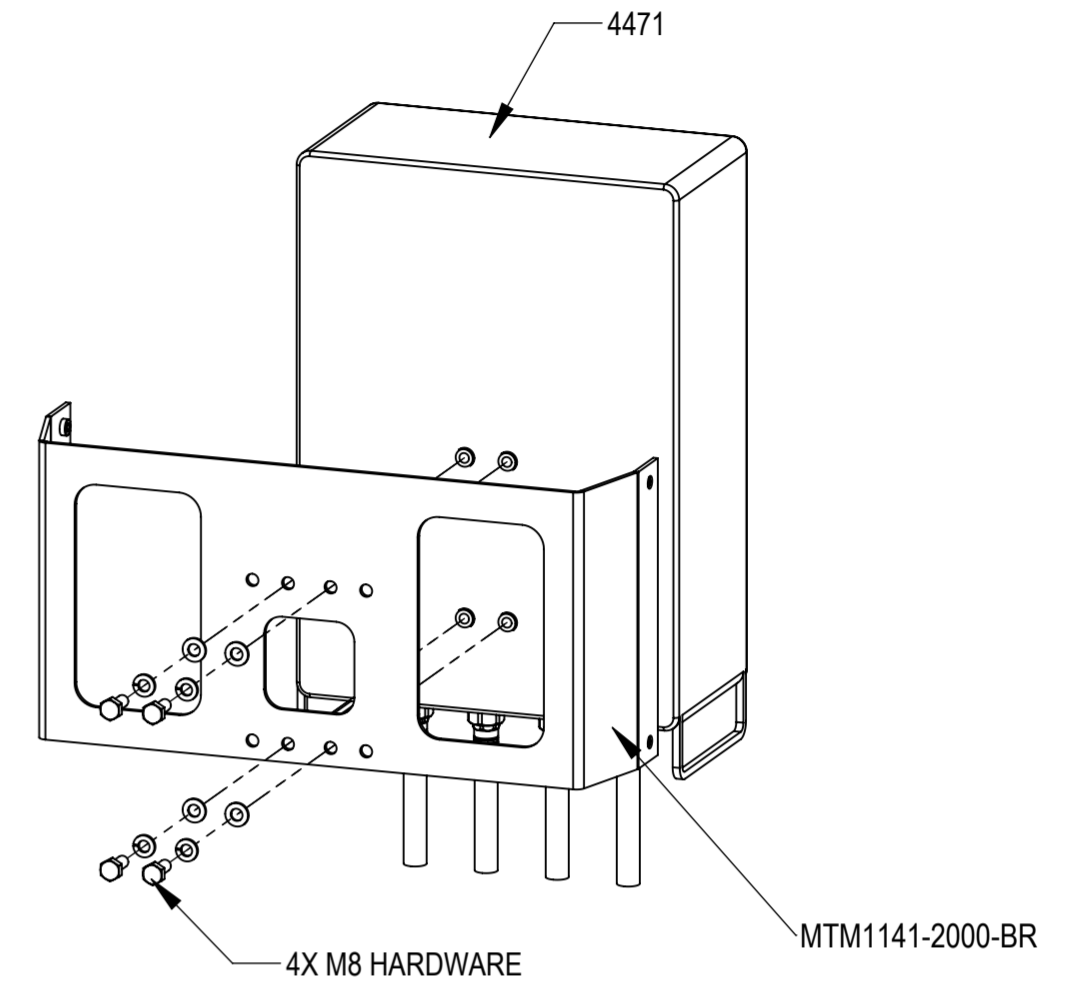
8863:

INSTALL RADIO 8863 TO THE BRACKET MTM1141-2000-BR USING 4X M8 SCREWS, LOCK AND FLAT WASHERS



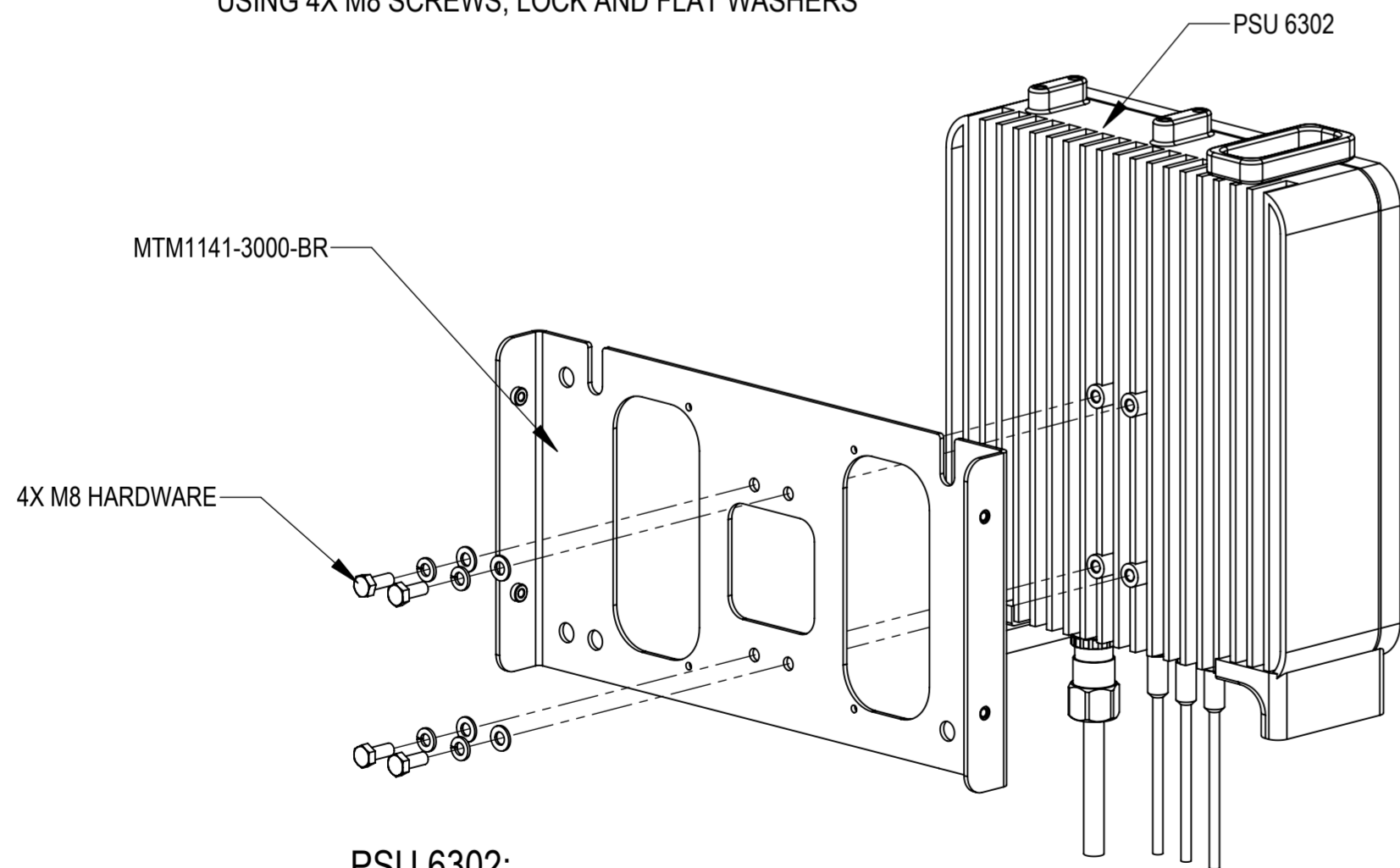
4461:

INSTALL RADIO 4461 TO THE BRACKET MTM1141-2000-BR USING 4X M8 SCREWS, LOCK AND FLAT WASHERS



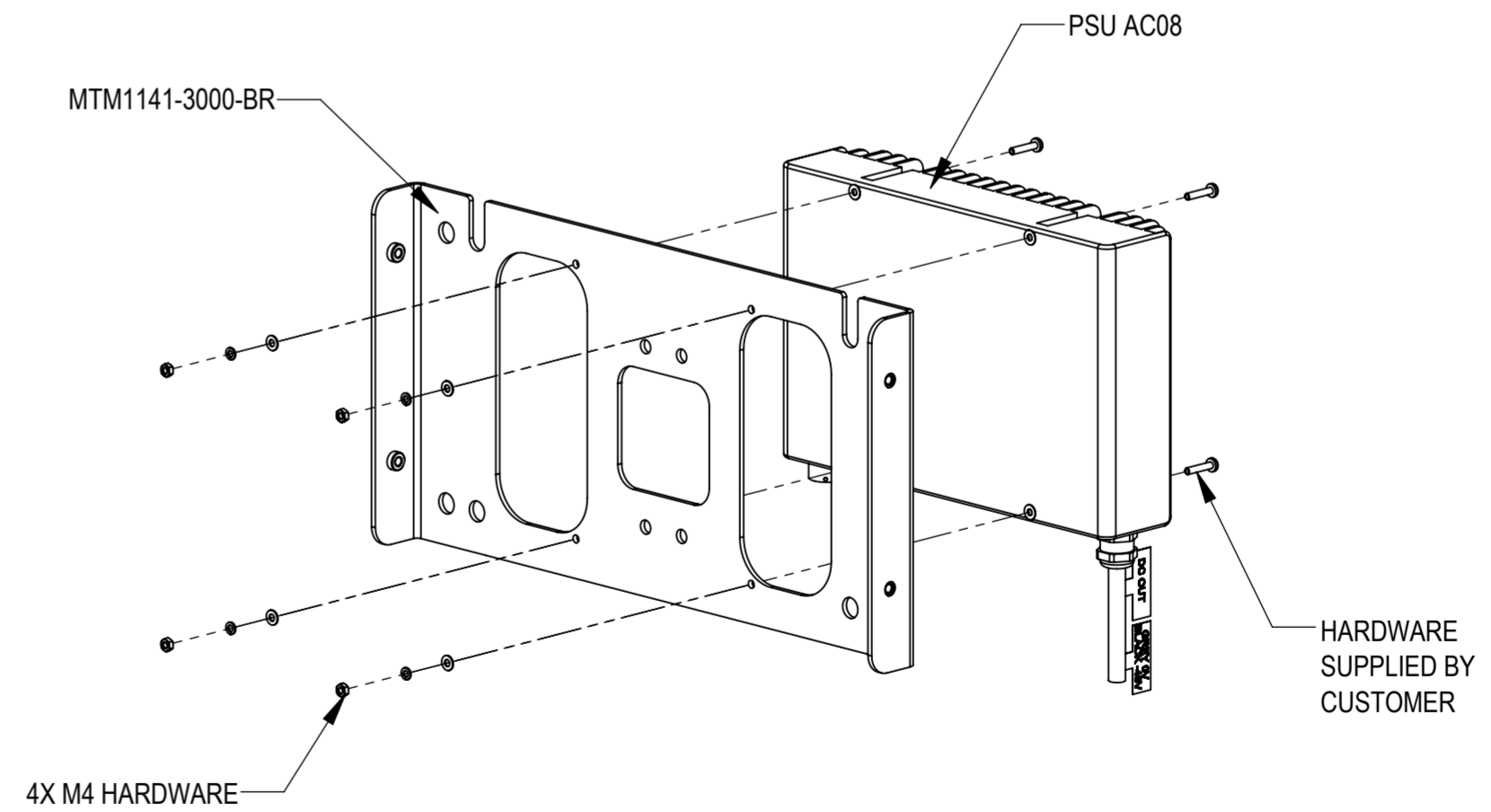
4471:

INSTALL RADIO 4471 TO THE BRACKET MTM1141-2000-BR USING 4X M8 SCREWS, LOCK AND FLAT WASHERS



PSU 6302:

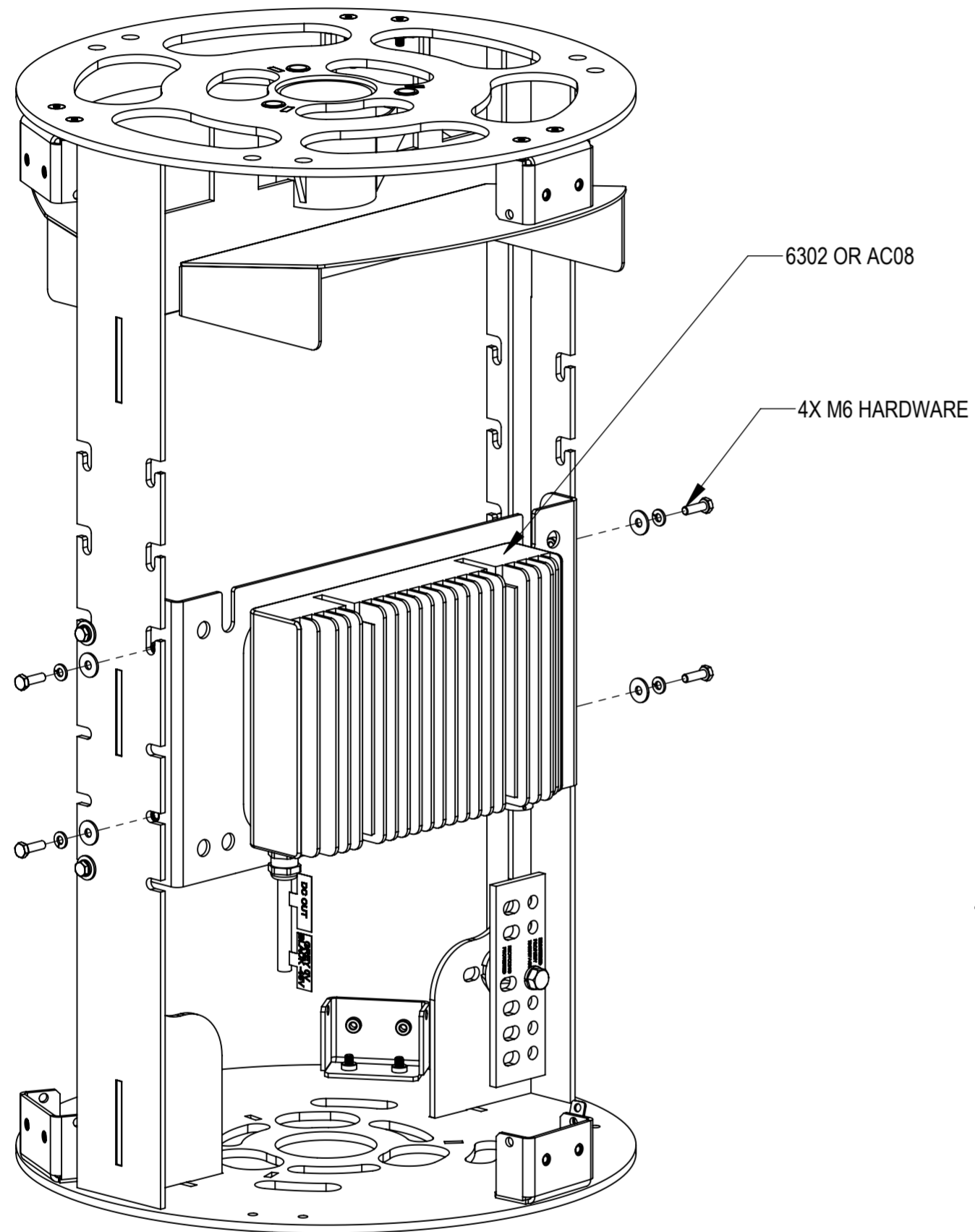
INSTALL 6302 RECTIFIER TO THE BRACKET MTM1141-3000-BR USING 4X M8 SCREWS, LOCK AND FLAT WASHERS



PSU AC08:

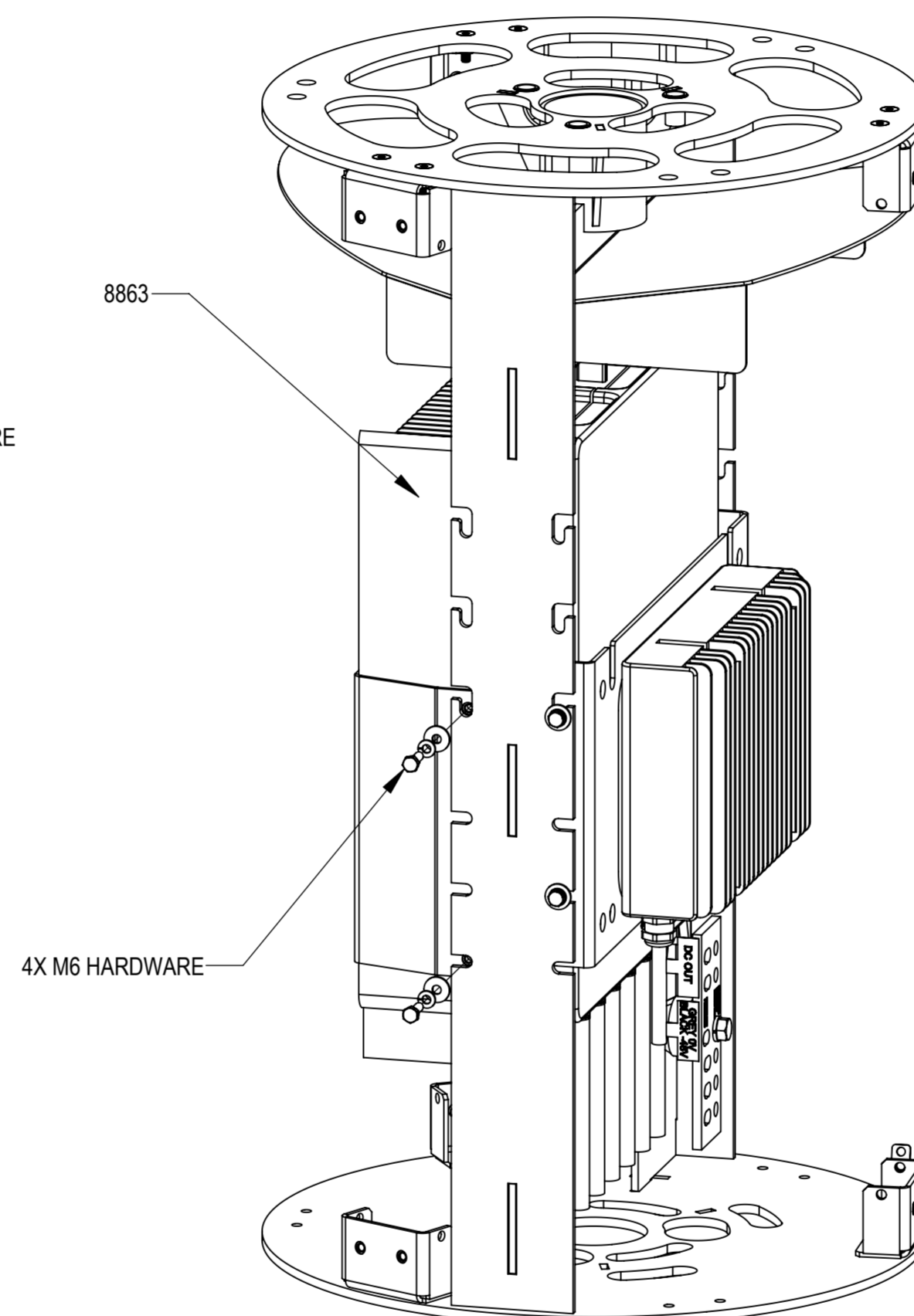
INSTALL AC08 RECTIFIER TO THE BRACKET MTM1141-3000-BR USING 4X M4 NUTS, LOCK AND FLAT WASHERS

CONFIGURATION 1 - 8863 AND PSU 6302 (OR AC08)



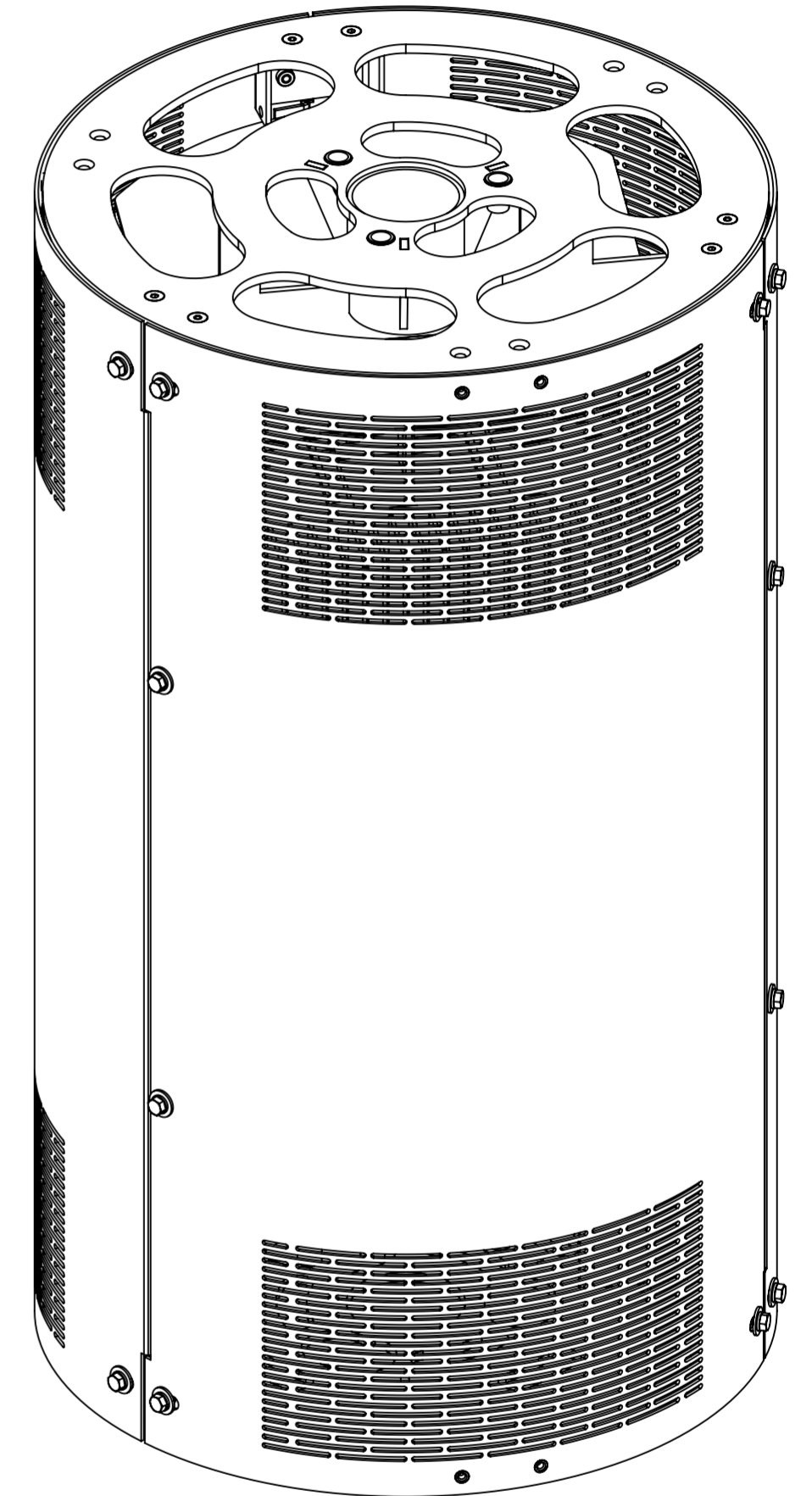
PSU 6302 OR AC08

INSTALL PSU 6302 OR AC08 SUB-ASSY TO THE POLETOP USING 4X M6 SCREWS, LOCK AND FLAT WASHERS AS SHOWN



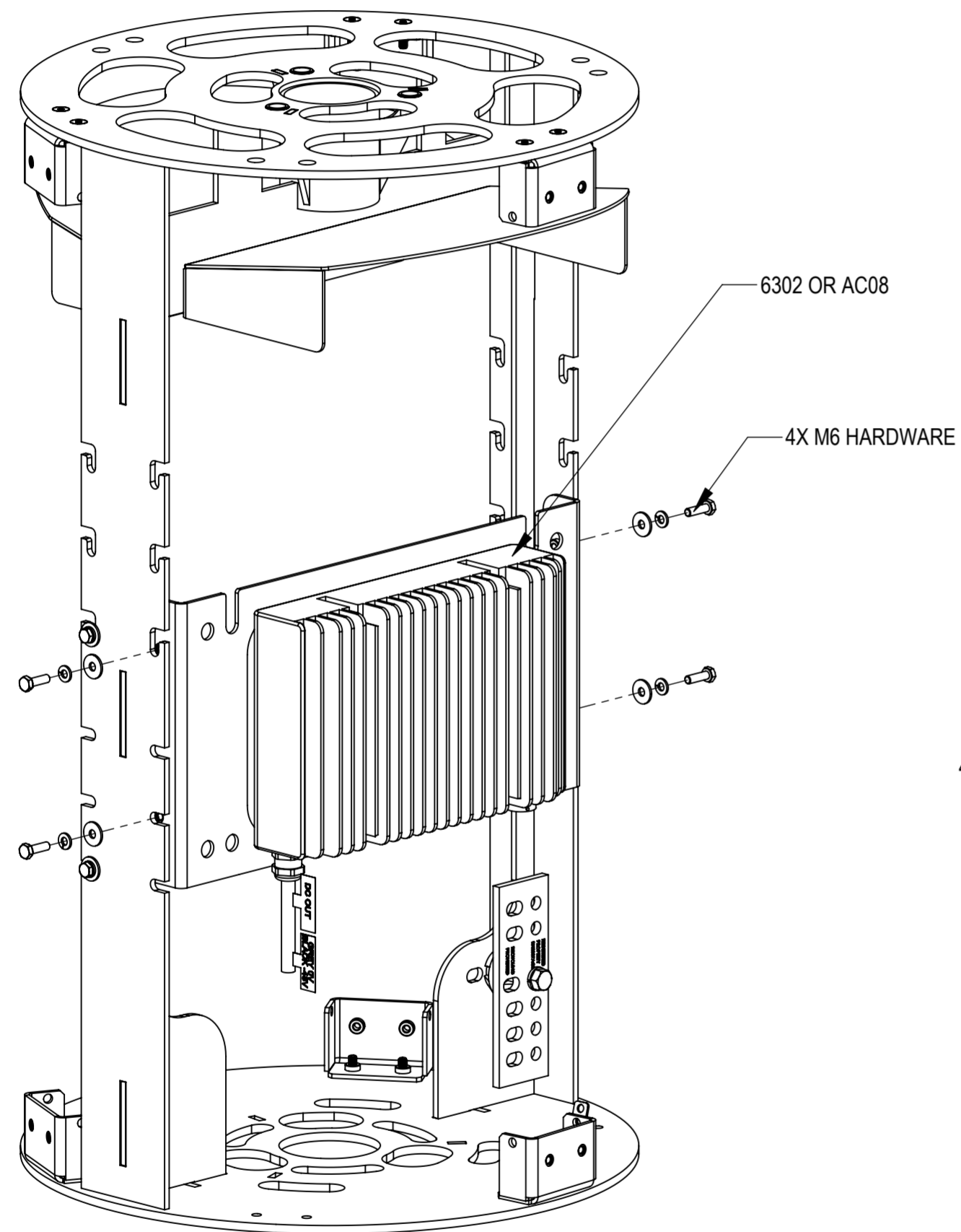
8863

INSTALL RADIO 8863 SUB-ASSY TO THE POLETOP USING 4X M6 SCREWS, LOCK AND FLAT WASHERS AS SHOWN



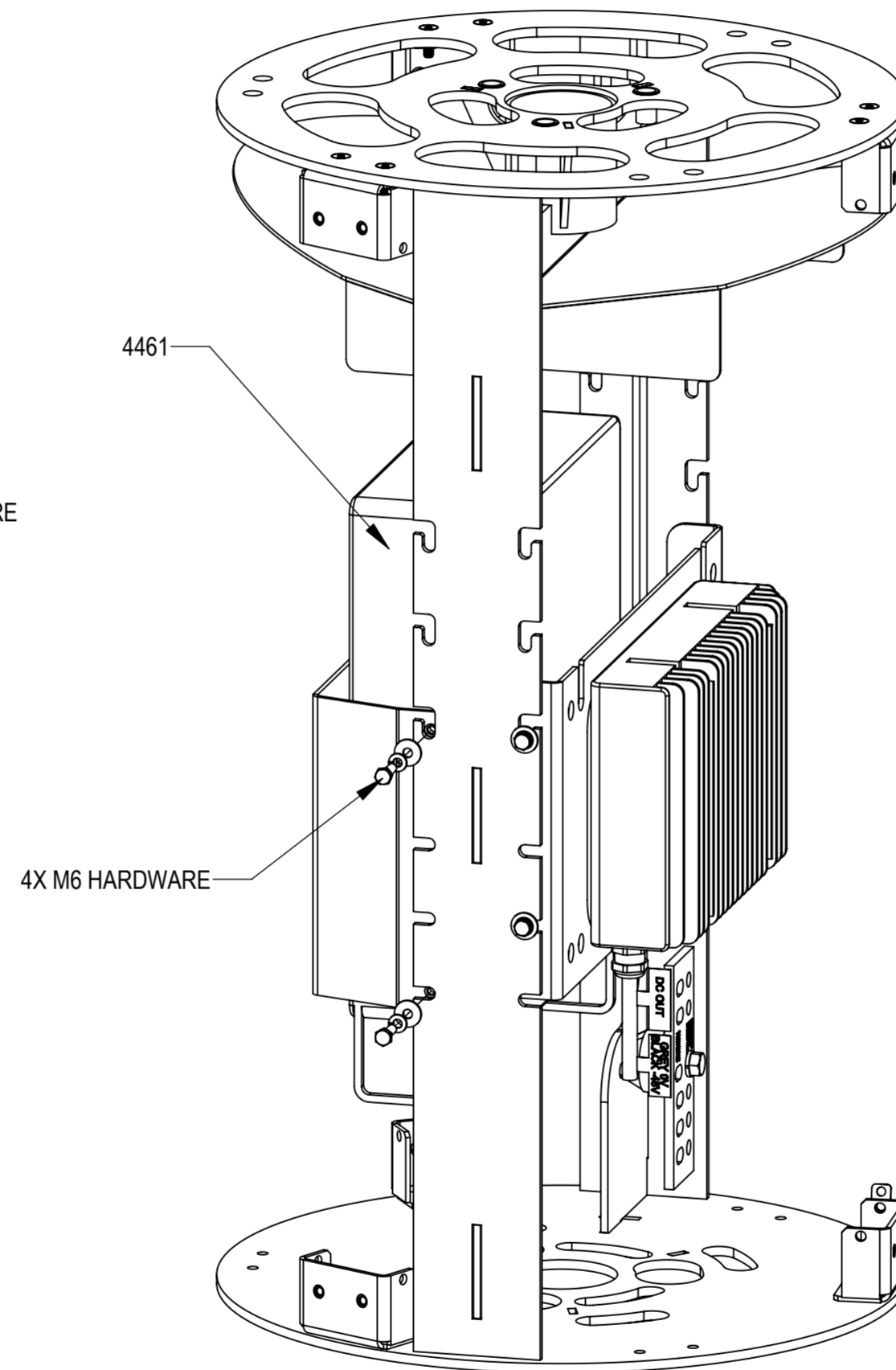
INSTALL THE COVERS TO THE POLETOP USING 18X M6 SCREWS, LOCK AND FLAT WASHERS AS SHOWN

CONFIGURATION 2 - 4461 AND PSU 6302 (OR AC08)



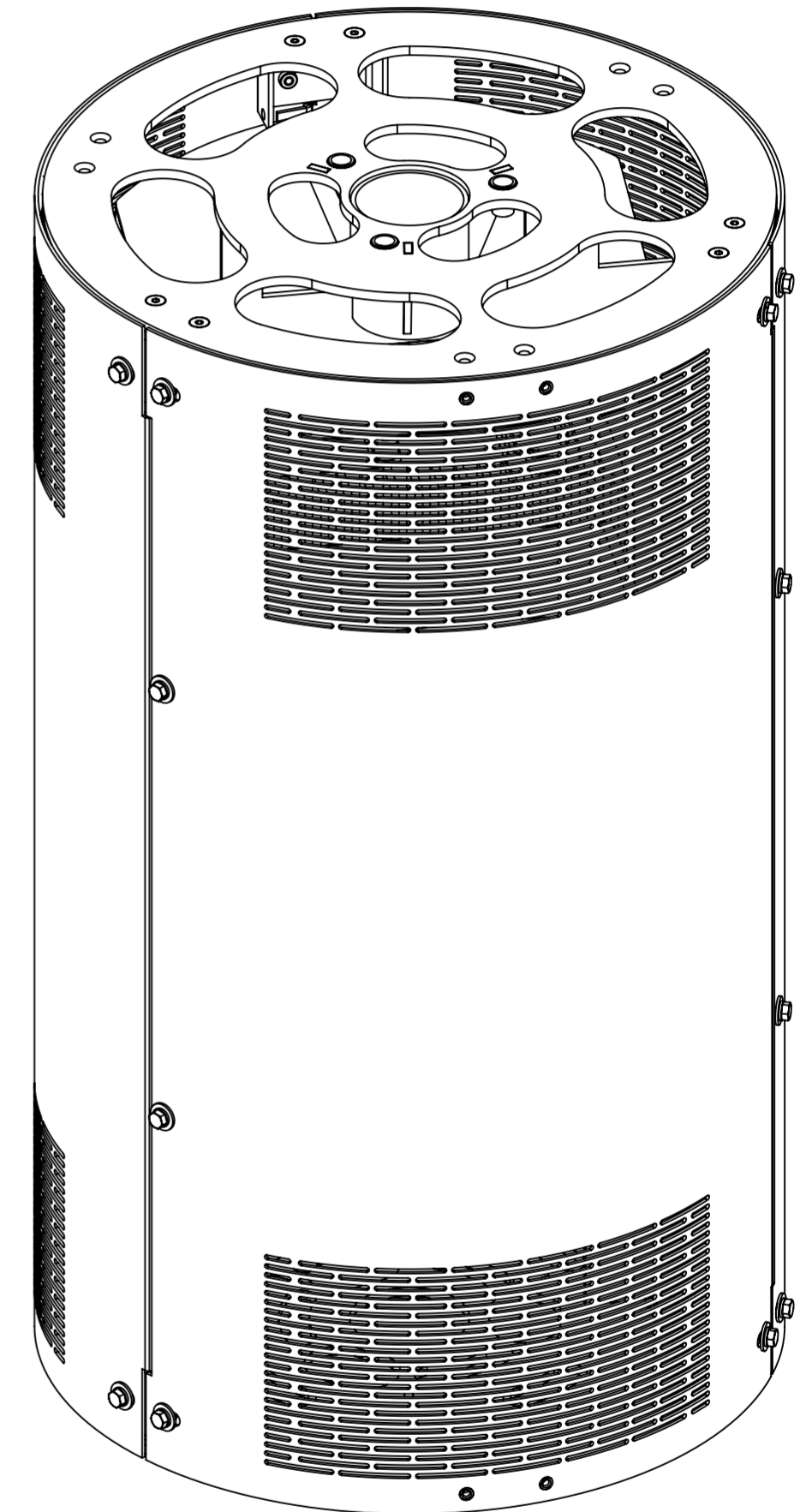
PSU 6302 OR AC08

INSTALL PSU 6302 OR AC08 SUB-ASSY TO THE POLETOP USING 4X M6 SCREWS, LOCK AND FLAT WASHERS AS SHOWN



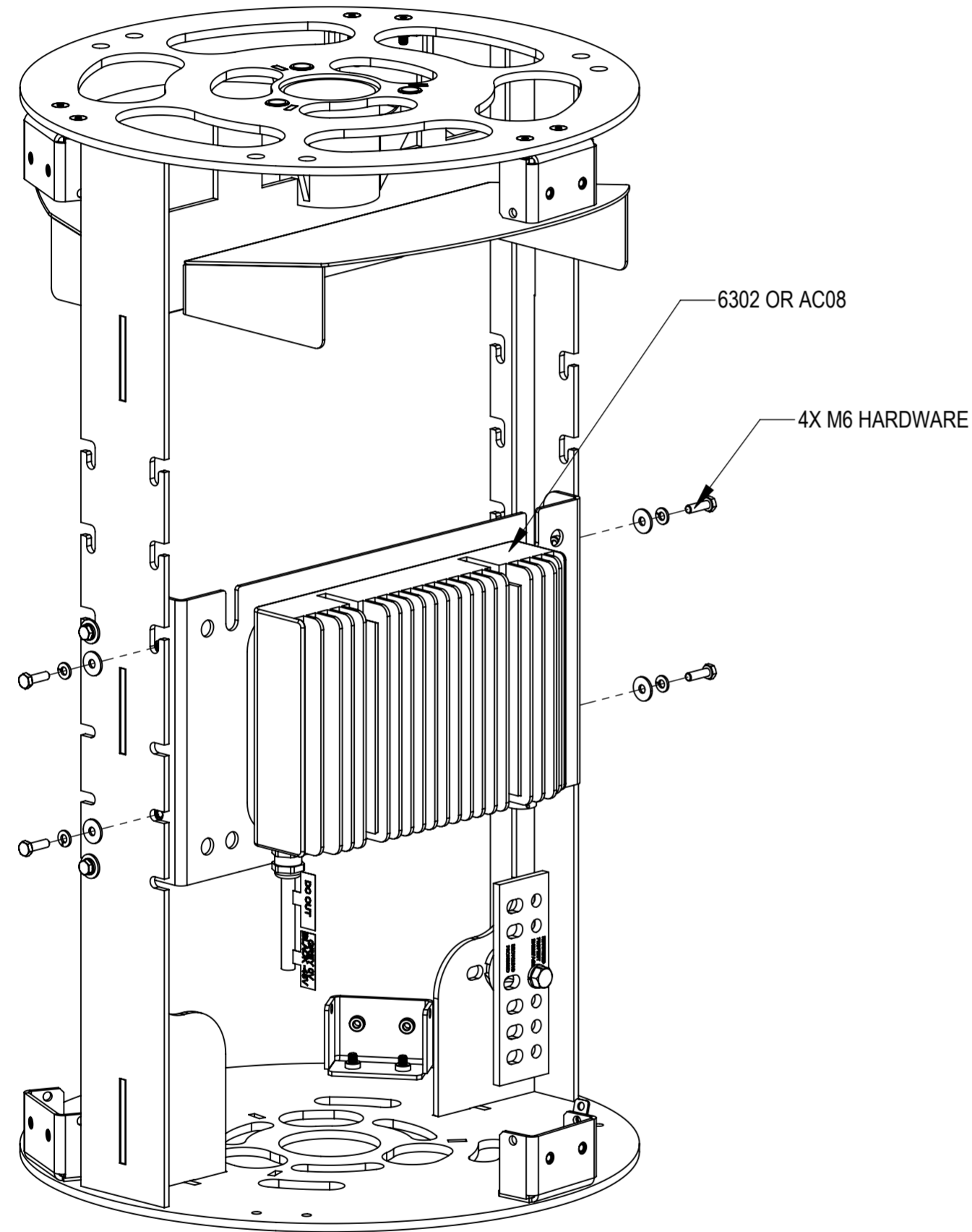
4461

INSTALL RADIO 4461 SUB-ASSY TO THE POLETOP USING 4X M6 SCREWS, LOCK AND FLAT WASHERS AS SHOWN



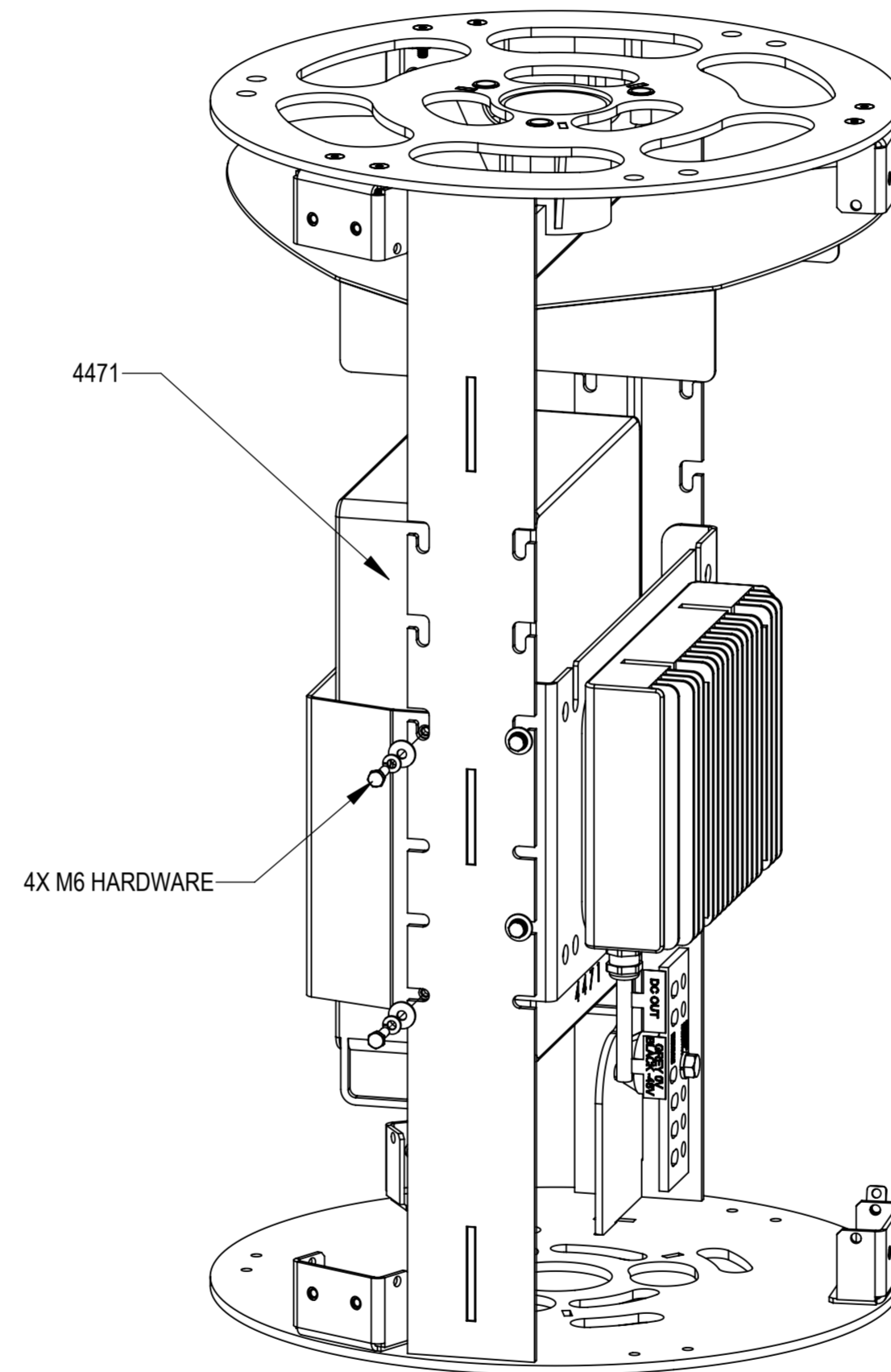
INSTALL THE COVERS TO THE POLETOP USING 18X M6 SCREWS, LOCK AND FLAT WASHERS AS SHOWN

CONFIGURATION 3 - 4471 AND PSU 6302 (OR AC08)



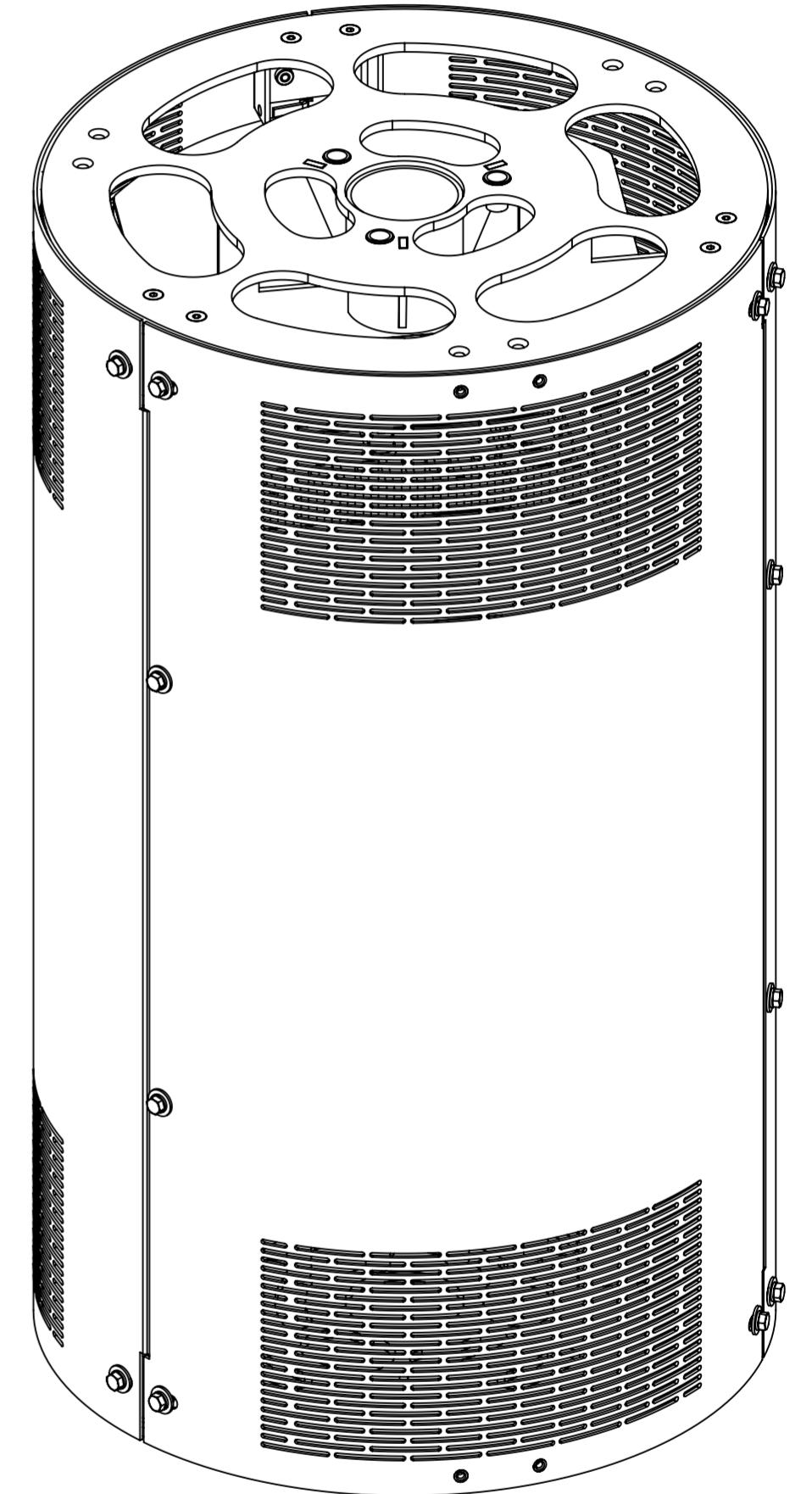
PSU 6302 OR AC08

INSTALL PSU 6302 OR AC08 SUB-ASSY TO THE POLETOP USING 4X M6 SCREWS, LOCK AND FLAT WASHERS AS SHOWN



4471

INSTALL RADIO 4471 SUB-ASSY TO THE POLETOP USING 4X M6 SCREWS, LOCK AND FLAT WASHERS AS SHOWN



INSTALL THE COVERS TO THE POLETOP USING 18X M6 SCREWS, LOCK AND FLAT WASHERS AS SHOWN