

Installation Instructions



860665491-AMK-007 INSTALLATION INSTRUCTION

PC30,AMK,NOK TO ERC RETRO,4461/4471 ONLY

- 1.0 GENERAL NOTES
 - 1.1 ALL DIMENSIONS ARE IN MM, IMPERIAL DIMENSIONS ARE IN INCHES AND SHOWN IN BRACKETS [X.X]
- 2.0 DESIGN NOTES
- 3.0 MANUFACTURING/SPECIAL REQUIREMENTS
 - 3.1 TIGHTEN HARDWARES, TORQUE VALUE ARE SHOWN BELOW AS REFERENCE,
 - M5: TORQUE 23.0 IN-LB OR 2.6 N-M
 - M6: TORQUE 40.0 IN-LB OR 4.5 N-M (W/ CLIP NUT)
 - M6: TORQUE 46.0 IN-LB OR 5.2 N-M (W/ THREADED CAST AL)
 - M6: TORQUE 75.0 IN-LB OR 8.5 N-M (W/ STEEL NUT)
 - M8: TORQUE 6.6 FT-LB OR 9.0 N-M (W/ THREADED CAST AL)
 - 3.2 CONFIGURATIONS AND QUANTITY OF EQUIPMENTS IN INSTALLATION ARE LISTED ON TABLE.
 - 3.3 EQUIPMENT INSTALLATION INSTRUCTION ON PAGE 2.

ERICSSON CONFIGURATION	3.2 APPROVED ERICSSON RADIO CONFIGURATIONS			
	4461	4471	AC08	DIPLEXER SDX1926Q-43 / CBC1726T-4310
1	1	1	2	1

REVISIONS			
REV.	DESCRIPTION	DATE	APPROVED
A	INITIAL RELEASE	DM1121 03NOV25	WQ1001 50105618AMO

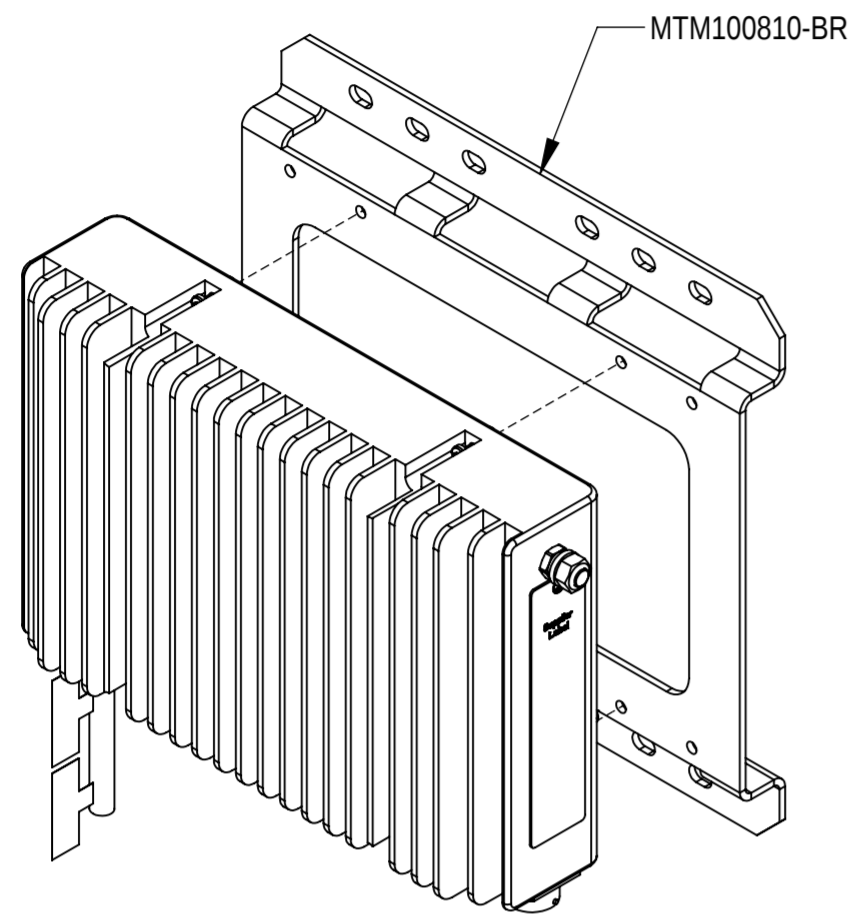
This table show the evolution and history of document from initial to current version.

Further information regarding ANDREW's commitment can be found at <https://www.andrew.com/sustainability/>.
 Visit our website or contact your local ANDREW representative for more information.
 This product is covered by one or more U.S. patents or their foreign equivalents. For patents, see www.adwpat.com

Installation Instructions

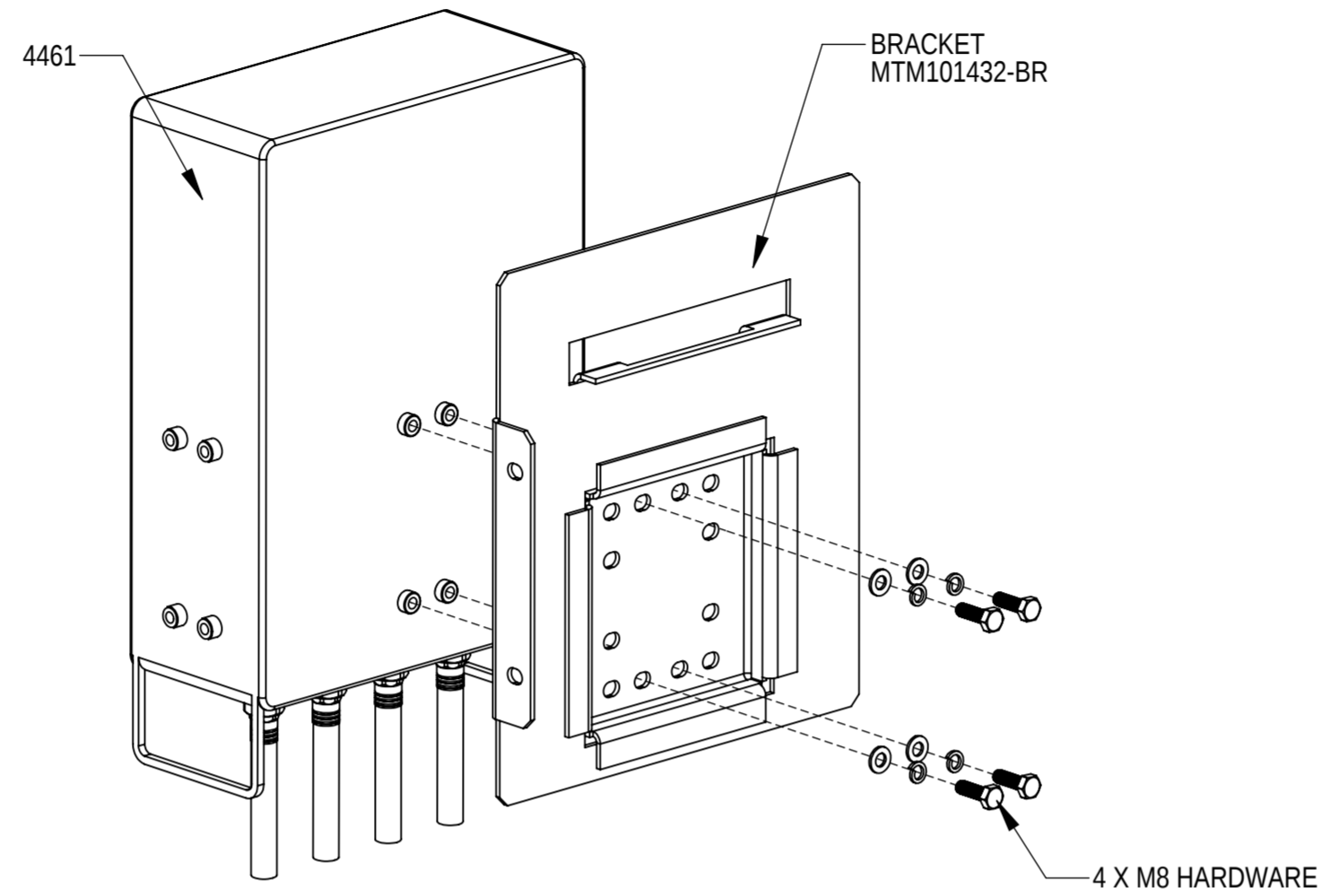


ERICSSON EQUIPMENT MOUNTING INSTALLATION



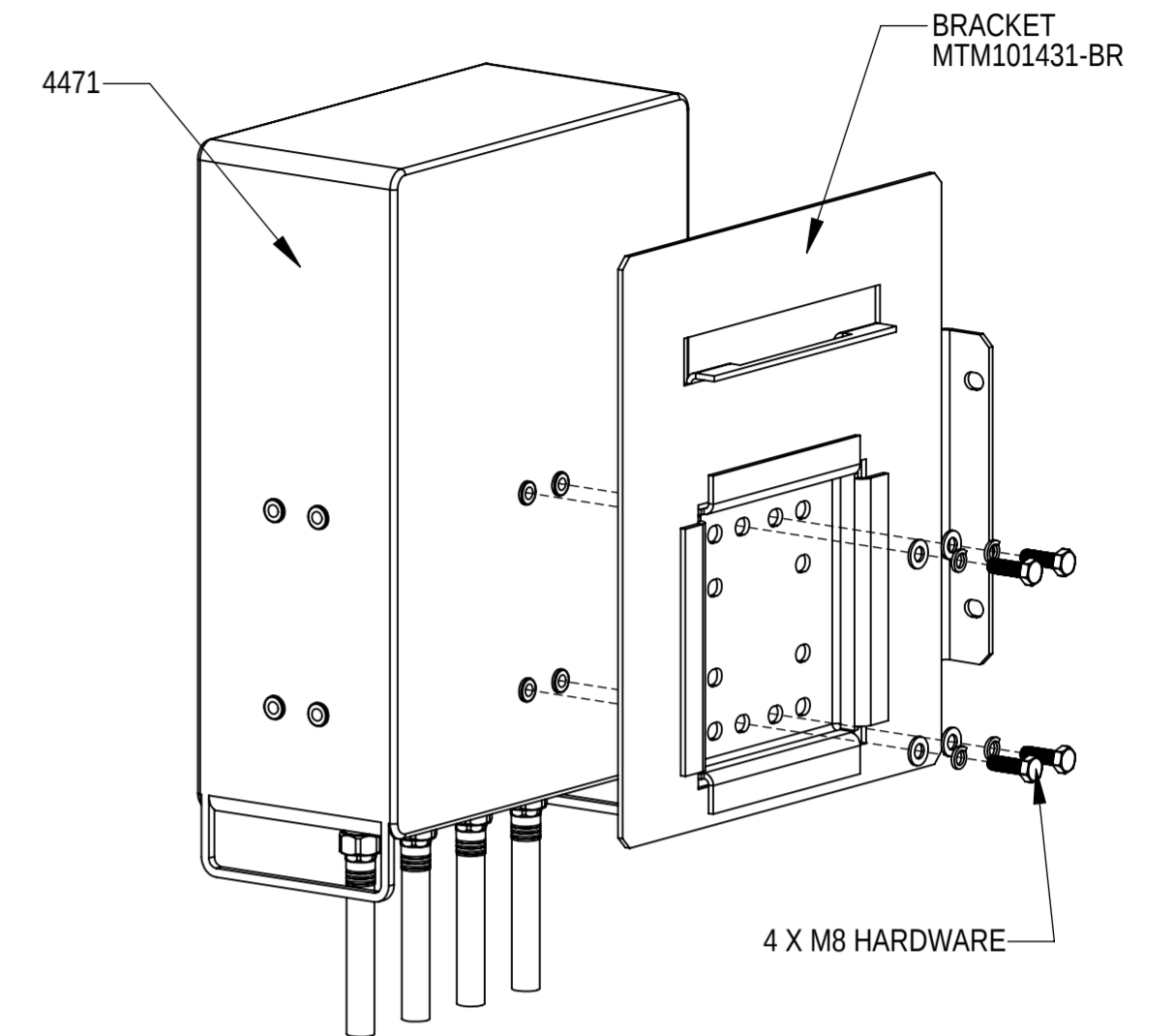
PSU AC08:

INSTALL PSU AC08 TO THE BRACKET MTM100810-BR USING M4 CAPTIVE HARDWARE PROVIDED WITH THE PSU.



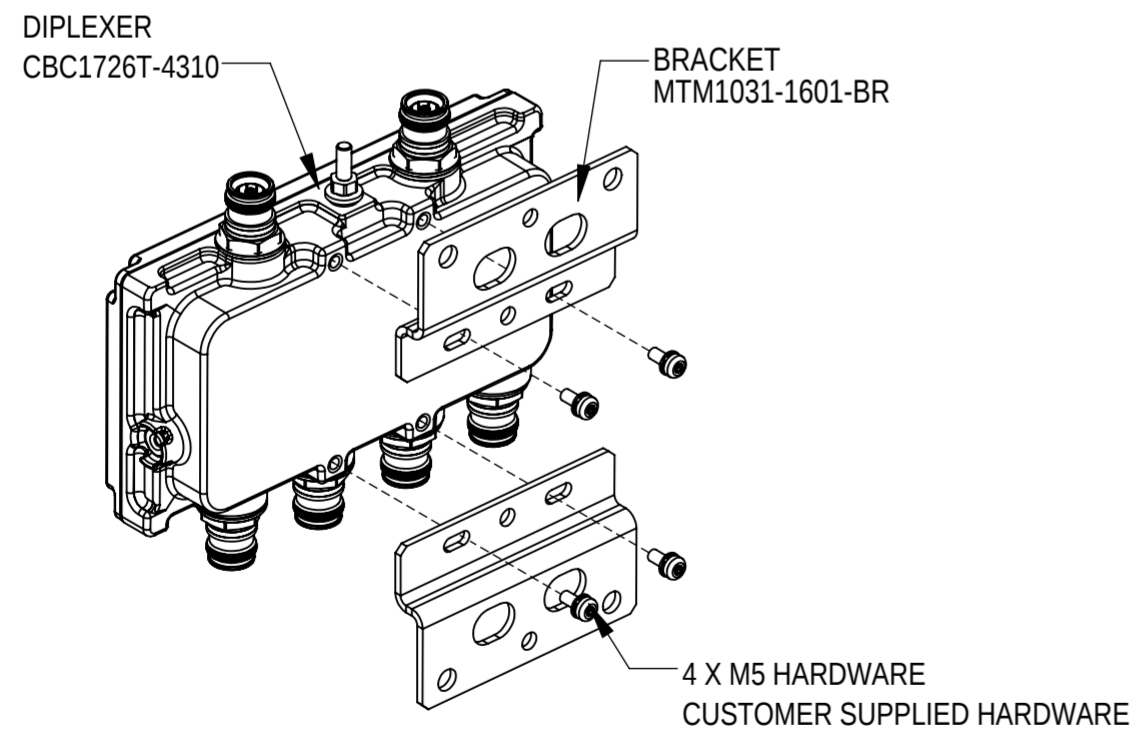
4461:

INSTALL 4461 TO THE MOUNTING BRACKET MTM101432-BR USING 4 SETS OF M8 HEX BOLT, LOCK WASHER AND FLAT WASHER AS SHOWN



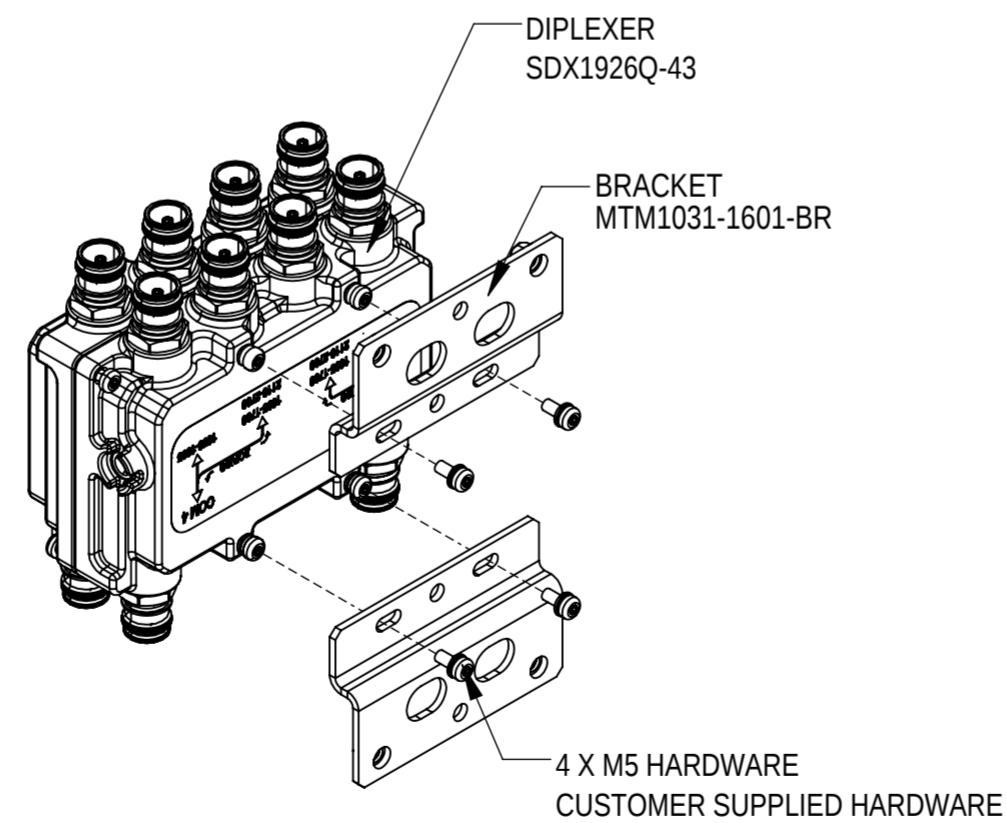
4471:

INSTALL 4471 TO THE MOUNTING BRACKET MTM101431-BR USING 4 SETS OF M8 HEX BOLT, LOCK WASHER AND FLAT WASHER AS SHOWN



DIPLEXER CBC1726T-4310:

INSTALL DIPLEXER TO THE MOUNTING BRACKET MTM1031-1601-BR USING 4 SETS OF M5 HEX BOLT, LOCK WASHER AND FLAT WASHER AS SHOWN



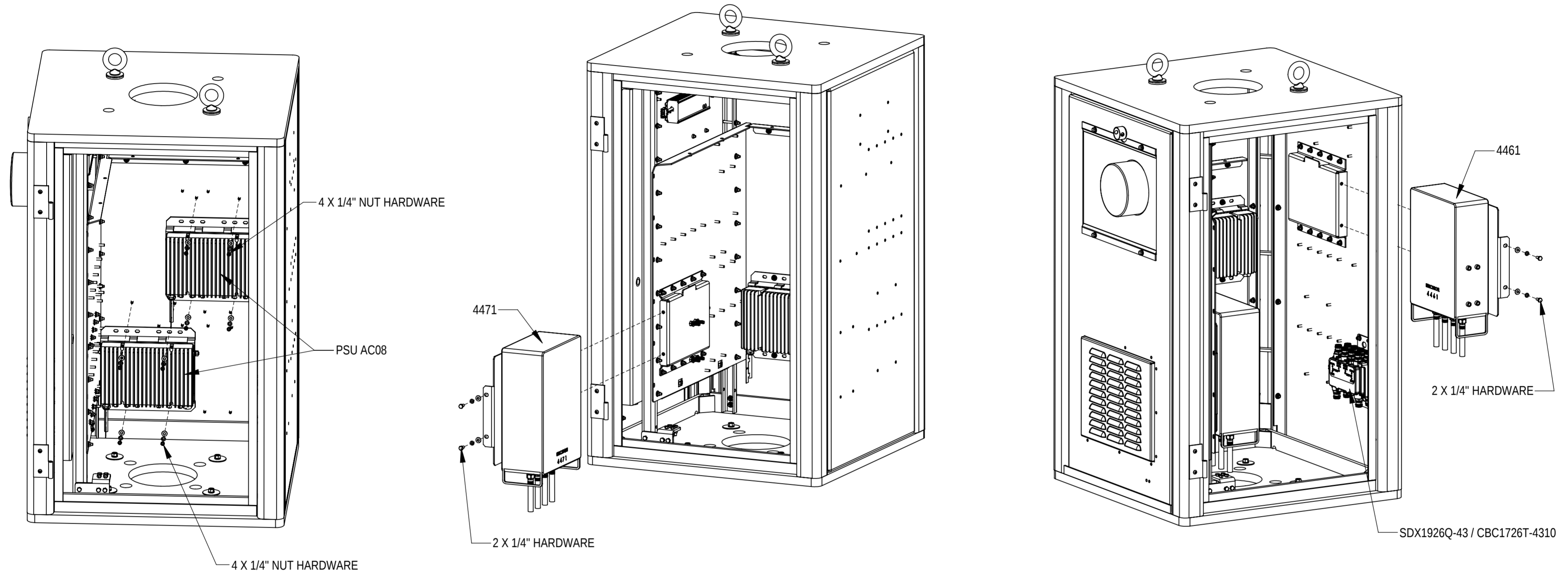
DIPLEXER SDX1926Q-43:

INSTALL DIPLEXER TO THE MOUNTING BRACKET MTM1031-1601-BR USING 4 SETS OF M5 HEX BOLT, LOCK WASHER AND FLAT WASHER AS SHOWN

Installation Instructions



CONFIGURATION 1 - 4461 & 4471 & 2X AC08 AND DIPLEXER SDX1926Q-43/CBC1726T-4310



STEP 1: PSU AC08 INSTALL ON BACK

INSTALL PSU AC08 TO THE EQUIPMENT AND SECURE USING 4 SETS OF 1/4" NUT, LOCK WASHER AND FLAT WASHER

STEP 2: 4471

- A) INSTALL 4471 ON RIGHT SIDE FIRST USING A ROPE & LIFTING EYE AT TOP OF FRAME TO ASSIST RRU INTO PLACE
- B) HANG 4471 SUB-ASSY TO THE EQUIPMENT MOUNT BRACKETS AND SECURE USING 2 SETS OF 1/4" BOLT, LOCK WASHER AND FLAT WASHER

STEP 3: 4461 & DIPLEXER

- A) USING A ROPE & LIFTING EYE AT TOP OF FRAME TO ASSIST RRU INTO PLACE
- B) HANG 4461 SUB-ASSY ON SIDE WALL AND SECURE USING 2 SETS OF 1/4" BOLT, LOCK WASHER AND FLAT WASHER
- C) INSTALL DIPLEXER SUB-ASSY TO THE EQUIPMENT AND SECURE USING 4 SETS OF 1/4" NUT, LOCK WASHER AND FLAT WASHER